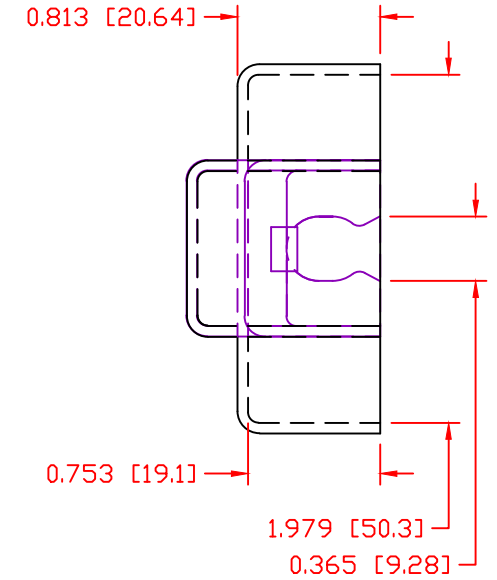
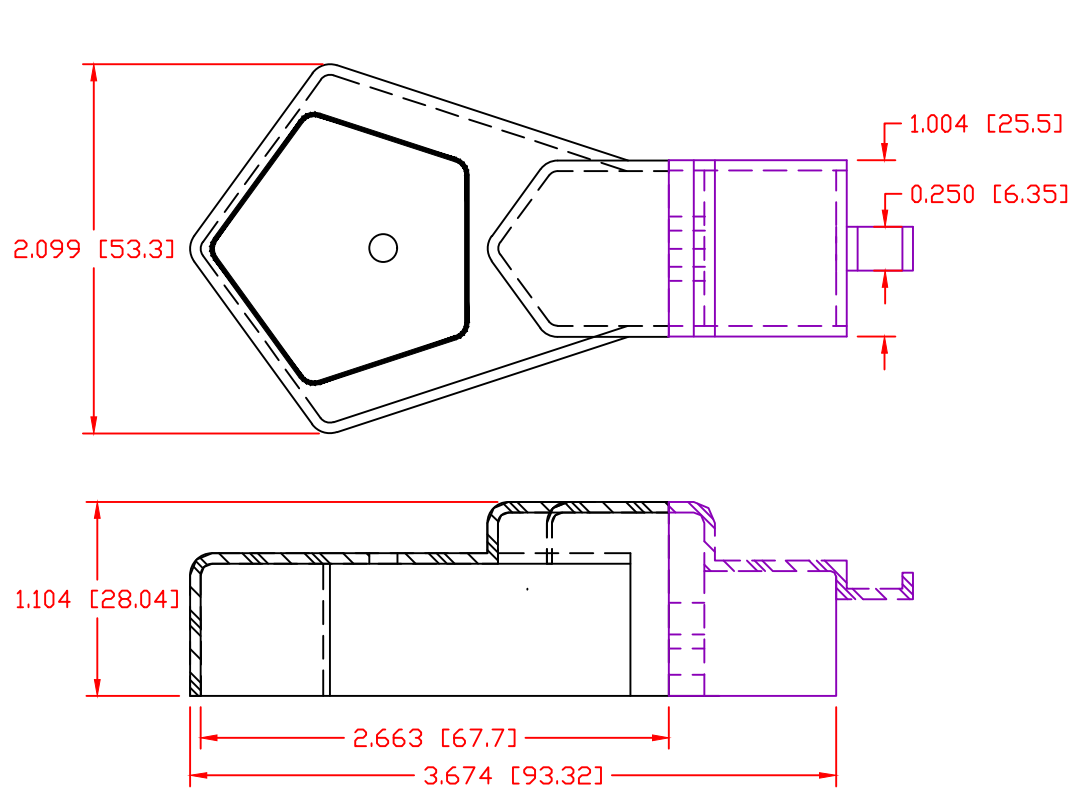


THE INFORMATION CONTAINED IN THIS DRAWING IS THE SOLE PROPERTY OF VTE INCORPORATED. ANY REPRODUCTION IN PART OR WHOLE WITHOUT THE WRITTEN PERMISSION OF VTE INCORPORATED IS PROHIBITED. VTE MAKES NO WARRANTY, EXPRESSED OR IMPLIED, AS TO THE SUITABILITY OF A PRODUCT FOR ANY INTENDED USE. THE CUSTOMER SHALL BEAR THE SOLE RESPONSIBILITY OF DETERMINING THE SUITABILITY OF ANY VTE PRODUCT FOR ITS END USE.


LTR.	REVISIONS	DATE	INT.
△	ADDED WALL SECTION AT REAR OF SHROUD	06-04-99	BRH



ALL DIMENSIONS GIVEN AS: In [mm]
 MOLDED PARTS: ±.030" [±0.8mm]
 HARDWARE ITEMS: ±.010" [±0.25mm]

VTE PART NO: 1101950114
 MATERIAL: PVC
 VENDOR PART NO: 9812-95-BLACK
 SHORE DUROMETER: "A" 10 SEC. 95
 SPECIFIC GRAVITY: 1.5
 ULT. ELONGATION %: 200
 MELTING TEMP: 345-365 F [174-185 C]
 TENSILE STRENGTH PSI: 2100
 DIELECTRIC STRENGTH, V./mil: 384
 U.L. RATING: V2

DO NOT SCALE

		VTE Incorporated 5437 Robinson Road, P.O. Box 790 Pellston, Michigan 49769 Telephone: 1-800-527-9256, 231-539-8000 FAX: 231-539-0914	
		REF: CUSTOMER DIMS	DATE: 06-15-99
TITLE: BATTERY TERMINAL INSULATOR			
MATERIAL: PVC		PART NO. 436N4V14	
COLOR: BLACK	DRG CLASS		