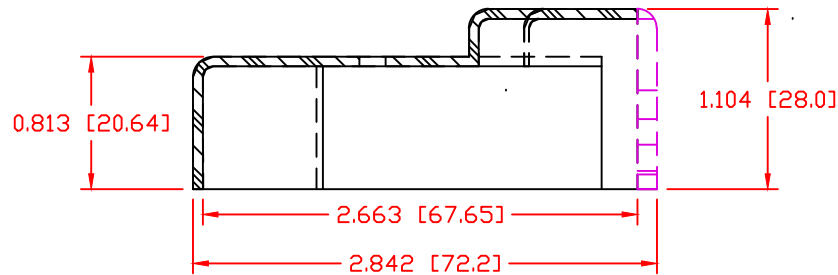
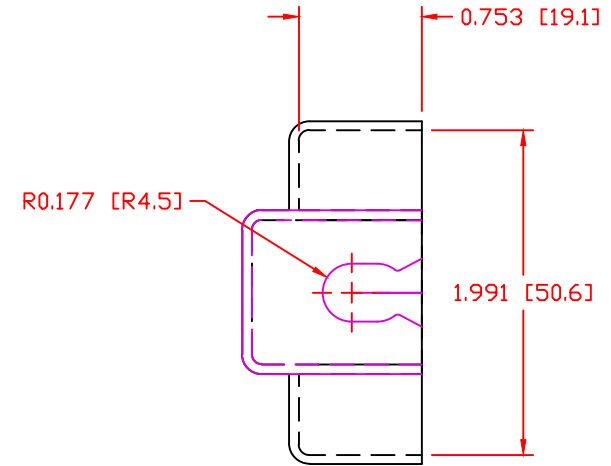
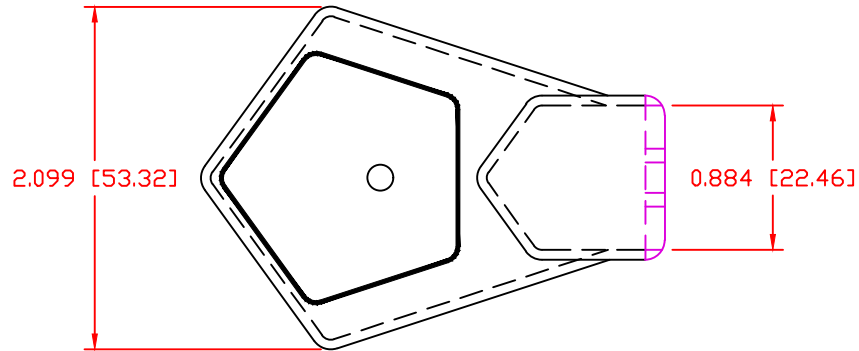


THE INFORMATION CONTAINED IN THIS DRAWING IS THE SOLE PROPERTY OF VTE INCORPORATED. ANY REPRODUCTION IN PART OR WHOLE WITHOUT THE WRITTEN PERMISSION OF VTE INCORPORATED IS PROHIBITED. VTE MAKES NO WARRANTY, EXPRESSED OR IMPLIED, AS TO THE SUITABILITY OF A PRODUCT FOR ANY INTENDED USE. THE CUSTOMER SHALL BEAR THE SOLE RESPONSIBILITY OF DETERMINING THE SUITABILITY OF ANY VTE PRODUCT FOR ITS END USE.


LTR.	REVISIONS	DATE	INT.
△	NEW DESIGN FOR 16 AND 25mm CABLE	12-09-99	BRH



ALL DIMENSIONS GIVEN AS: In [mm]
 MOLDED PARTS: ±.030" [±0.8mm]
 HARDWARE ITEMS: ±.010" [±0.25mm]

VTE PART NO:	1101950114
MATERIAL:	PVC
VENDOR PART NO:	9812-95-BLACK
SHORE DUROMETER:	"A" 10 SEC. 95
SPECIFIC GRAVITY:	1.5
ULT. ELONGATION %:	200
MELTING TEMP:	345-365 F [174-185 C]
TENSILE STRENGTH PSI:	2100
DIELECTRIC STRENGTH, V./mil:	384
U.L. RATING:	V2

DO NOT SCALE

		VTE Incorporated 5437 Robinson Road, P.O. Box 790 Pellston, Michigan 49769 Telephone: 1-800-527-9256, 231-539-8000 FAX: 231-539-0914	
		REF:	DATE:
CUSTOMER DIMS	06-15-99	CHK'D BY: BRH	.033 LBS [14.9 g]
TITLE: BATTERY TERMINAL INSULATOR			
MATERIAL: PVC		PART NO.	
COLOR: BLACK		436S4V14	
	DRG CLASS		