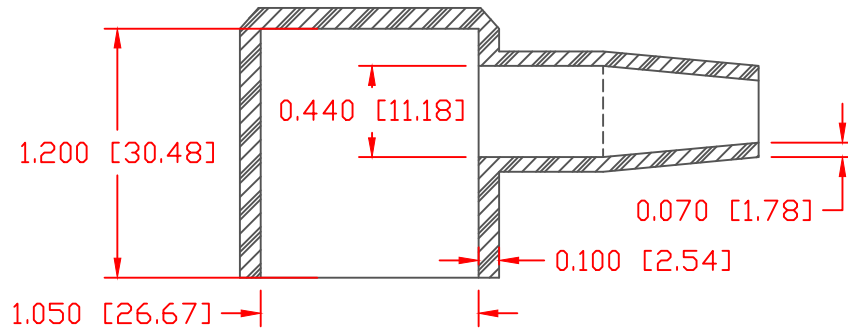
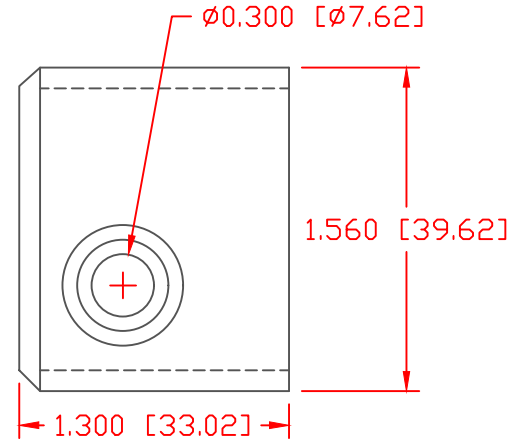
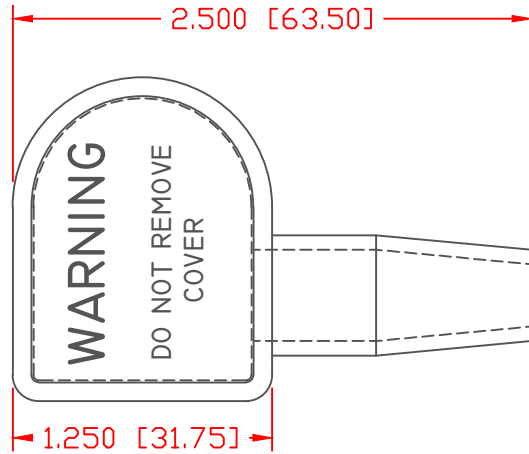


THE INFORMATION CONTAINED IN THIS DRAWING IS THE SOLE PROPERTY OF VTE INCORPORATED. ANY REPRODUCTION IN PART OR WHOLE WITHOUT THE WRITTEN PERMISSION OF VTE INCORPORATED IS PROHIBITED. VTE MAKES NO WARRANTY, EXPRESSED OR IMPLIED, AS TO THE SUITABILITY OF A PRODUCT FOR ANY INTENDED USE. THE CUSTOMER SHALL BEAR THE SOLE RESPONSIBILITY OF DETERMINING THE SUITABILITY OF ANY VTE PRODUCT FOR ITS END USE.

| LTR. | REVISIONS | DATE | INT. |
|------|-----------|------|------|
|      |           |      |      |



SCALE FACTOR : NONE  
 ALL DIMENSIONS GIVEN AS: in [mm]  
 TOLERANCES UNLESS OTHERWISE SPECIFIED :  
 MOLDED PARTS:  $\pm 0.030$ " [ $\pm 0.8$ mm]  
 ALL ANGLES ARE  $\pm 1$  DEGREE

|                              |                       |
|------------------------------|-----------------------|
| VTE PART NO:                 | 1101650114            |
| MATERIAL:                    | PVC                   |
| VENDOR PART NO:              | 9812-65-BLACK         |
| SHORE DUROMETER:             | "A" 10 SEC. 65        |
| SPECIFIC GRAVITY:            | 1.34                  |
| ULT. ELONGATION %:           | 400                   |
| MELTING TEMP:                | 315-335 F [157-168 C] |
| BRITTLE TEMP:                | -54 F [-48 C]         |
| TENSILE STRENGTH PSI:        | 1550 PSI              |
| DIELECTRIC STRENGTH, V./mil: | 453                   |
| U.L. RATING:                 | V2                    |



VTE Incorporated  
 5437 Robinson Road, P.O. Box 790  
 Pellston, Michigan 49769  
 Telephone: 1-800-527-9256, 231-539-8000  
 FAX: 231-539-0914

|                                  |         |           |           |                    |
|----------------------------------|---------|-----------|-----------|--------------------|
| REF:                             | DATE:   | DRN BY:   | CJC       | WEIGHT:            |
| CUSTOMER DIMS                    | 3-30-98 | CHK'D BY: | CJC       | .04 LBS. / 18.3 G. |
| TITLE: U-1 BATTERY TERMINAL BOOT |         |           |           |                    |
| MATERIAL: PVC                    |         |           | PART NO.  |                    |
| COLOR: BLACK                     |         |           | 444R6V14  |                    |
|                                  |         |           | DRG CLASS |                    |