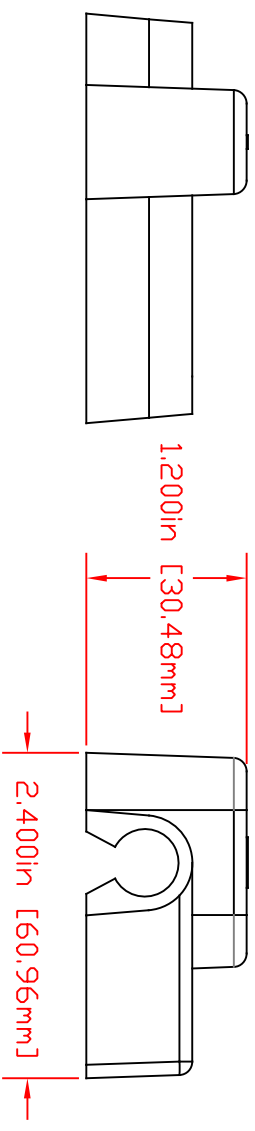
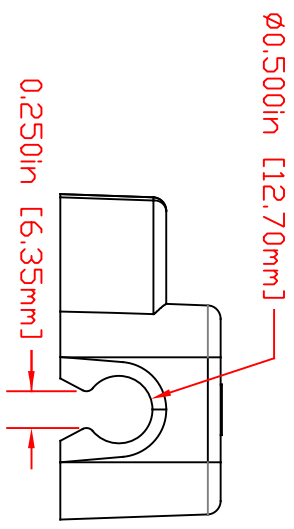
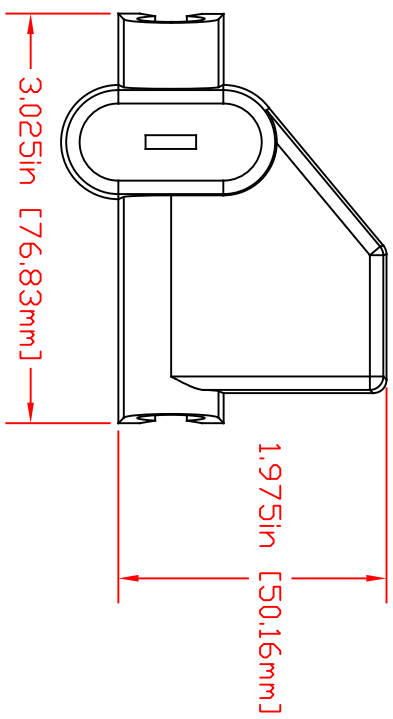
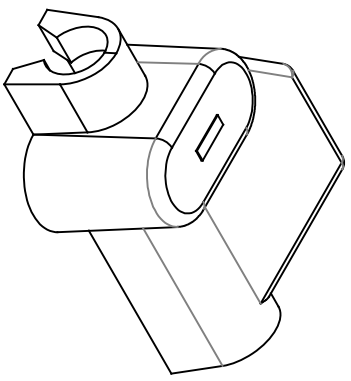


THE INFORMATION CONTAINED IN THIS DRAWING IS THE SOLE PROPERTY OF VTE INCORPORATED. ANY REPRODUCTION IN PART OR WHOLE WITHOUT THE WRITTEN PERMISSION OF VTE INCORPORATED IS PROHIBITED. VTE MAKES NO WARRANTY, EXPRESSED OR IMPLIED, AS TO THE SUITABILITY OF A PRODUCT FOR ANY INTENDED USE. THE CUSTOMER SHALL BEAR THE SOLE RESPONSIBILITY OF DETERMINING THE SUITABILITY OF ANY VTE PRODUCT FOR ITS END USE.

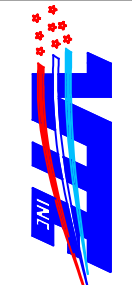
LTR.	REVISIONS	DATE	INT.
1	REDRAWN AND UPDATED FROM 9/20/99	5-20-22	RAS



SCALE FACTOR : NONE
 ALL DIMENSIONS GIVEN AS: In [mm]
 TOLERANCES UNLESS OTHERWISE SPECIFIED :
 MOLDED PARTS: ±0.30° [±0.8mm]
 ALL ANGLES ARE ± 1 DEGREE

MATERIAL PART NO:
 MATERIAL:
 VENDOR PART NO:
 SHORE DUREMETER:
 SPECIFIC GRAVITY:
 ULT. ELONGATION %:
 MELTING TEMP:
 TENSILE STRENGTH PSI:
 DIELECTRIC STRENGTH, V./mil
 U.L. RATING:

1101950114
 PVC
 9812-95-BLACK
 4A 10 SEC. 95
 1.5
 200
 345-365 F [174-185 C]
 2100
 384
 V2



VTE Incorporated
 5437 Robinson Road, P.O. Box 790
 Pellston, Michigan 49769
 Telephone: 1-800-527-9256, 231-539-8000
 FAX: 231-539-0914

REF:	DATE:	DRN BY:	RAS	WEIGHT:
	5-20-22	CHK'D BY:	PJK	0.047 lbs [21.5 g]
TITLE: OFFSET TERMINAL INSULATOR				
MATERIAL: PVC		PART NO: 453D9V14		
COLOR: BLACK	DRG CLASS: REV A			