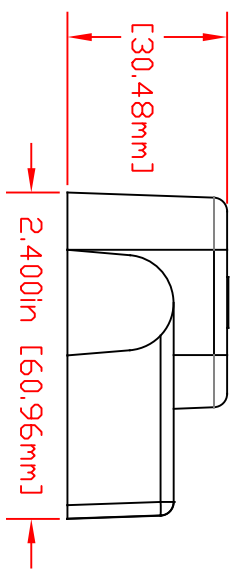
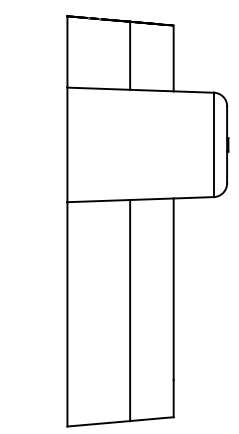
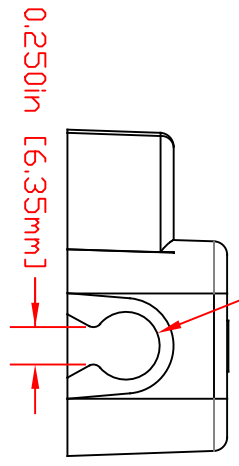
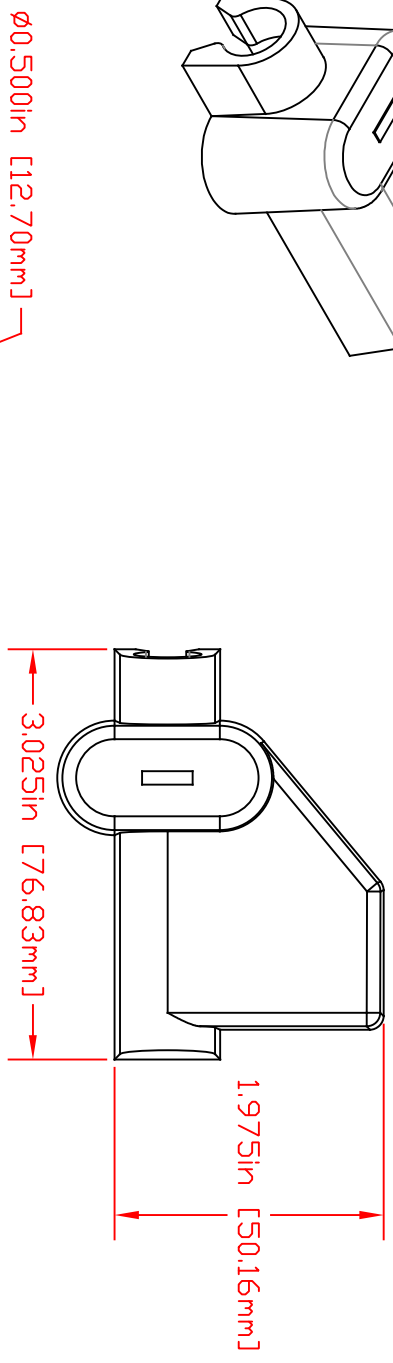
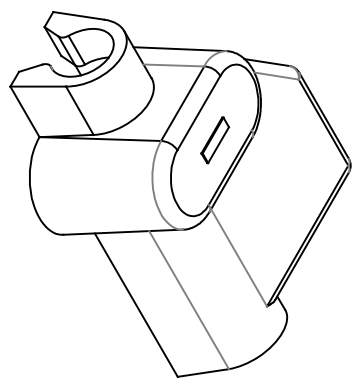



THE INFORMATION CONTAINED IN THIS DRAWING IS THE SOLE PROPERTY OF VTE INCORPORATED. ANY REPRODUCTION IN PART OR WHOLE WITHOUT THE WRITTEN PERMISSION OF VTE INCORPORATED IS PROHIBITED. VTE MAKES NO WARRANTY, EXPRESSED OR IMPLIED, AS TO THE SUITABILITY OF A PRODUCT FOR ANY INTENDED USE. THE CUSTOMER SHALL BEAR THE SOLE RESPONSIBILITY OF DETERMINING THE SUITABILITY OF ANY VTE PRODUCT FOR ITS END USE.

LR	REVISIONS	DATE	INT.
1	REDRAWN AND UPDATED FROM 9/20/99	5-20-22	RAS



SCALE FACTOR : NONE
 ALL DIMENSIONS GIVEN AS IN [mm]
 TOLERANCES UNLESS OTHERWISE SPECIFIED :
 MOLDED PARTS: ±0.30° [±0.8mm]
 ALL ANGLES ARE ± 1 DEGREE

MATERIAL PART NO: 1101950114
 MATERIAL: PVC
 VENDOR PART NO: 9812-95-BLACK
 SHORE DUREMETER: 7A 10 SEC. 95
 SPECIFIC GRAVITY: 1.5
 U.L. ELONGATION %: 200
 MELTING TEMP.: 345-365 F [174-185 C]
 TENSILE STRENGTH PSI: 2100
 DIELECTRIC STRENGTH, V./mil: 384
 U.L. RATING: V2

		VTE Incorporated 5437 Robinson Road, P.O. Box 790 Pellston, Michigan 49769 Telephone: 1-800-527-9256, 231-539-8000 FAX: 231-539-0914	
REF:	DATE:	DRN BY:	RAS
	5-20-22	CHK'D BY:	PJK
TITLE:	OFFSET TERMINAL INSULATOR		
MATERIAL:	PVC	PART NO:	453L9V14
COLOR:	BLACK	DRG CLASS:	REV A
		WEIGHT:	0.047 lbs [21.5 g]