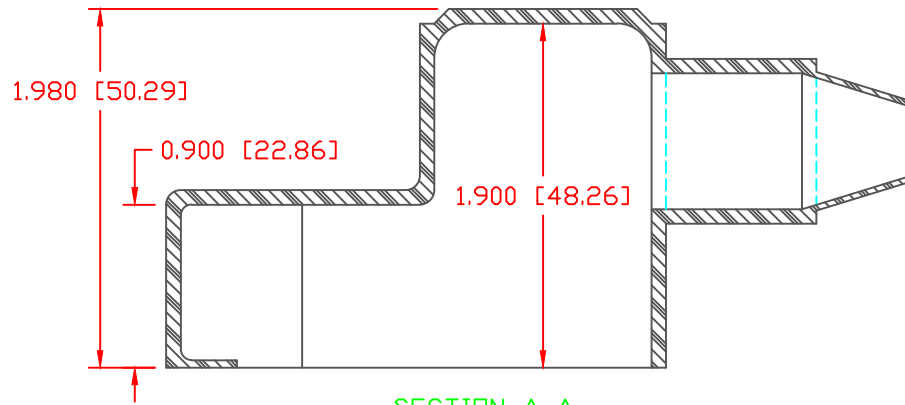
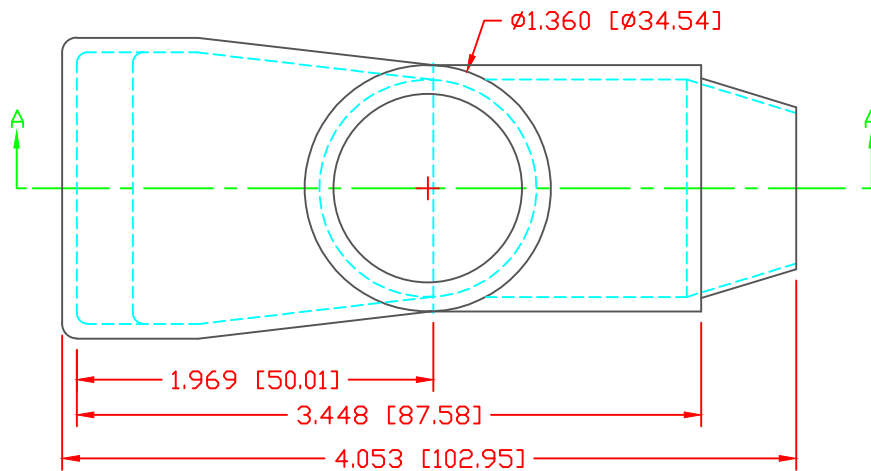
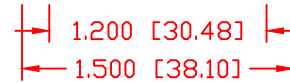
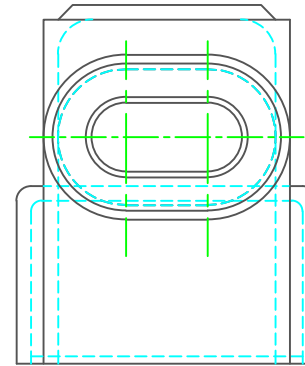


THE INFORMATION CONTAINED IN THIS DRAWING IS THE SOLE PROPERTY OF VTE INCORPORATED. ANY REPRODUCTION IN PART OR WHOLE WITHOUT THE WRITTEN PERMISSION OF VTE INCORPORATED IS PROHIBITED. VTE MAKES NO WARRANTY, EXPRESSED OR IMPLIED, AS TO THE SUITABILITY OF A PRODUCT FOR ANY INTENDED USE. THE CUSTOMER SHALL BEAR THE SOLE RESPONSIBILITY OF DETERMINING THE SUITABILITY OF ANY VTE PRODUCT FOR ITS END USE.

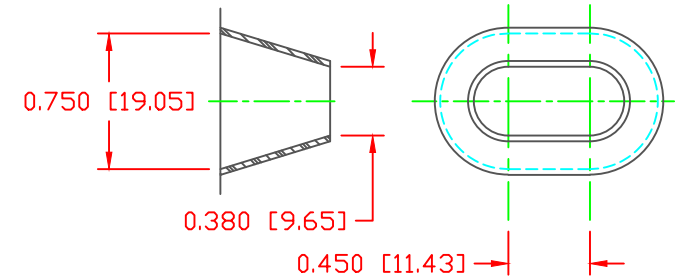
| LTR. | REVISIONS | DATE | INT. |
|------|-----------|------|------|
| △ | | | |



SECTION A-A



SEAL
SEAL THICKNESS = .8



ALL DIMENSIONS GIVEN AS: in [mm]
MOLDED PARTS: ±.030" [±0.8mm]
HARDWARE ITEMS: ±.010" [±0.25mm]

| | |
|-----------------------------|-----------------------|
| VTE PART NO: | 1101700114 |
| MATERIAL: | PVC |
| VENDOR PART NO: | 7843-70-BLACK |
| SHORE DUROMETER: | "A" 10 SEC. 70 |
| SPECIFIC GRAVITY: | 1.34 |
| ULT. ELONGATION %: | 350 |
| MELTING TEMP: | 320-340 F [160-171 C] |
| BRITTLE TEMP: | -22 F [-30 C] |
| Tensile Strength PSI: | 1500 PSI |
| Dielectric Strength, v./mil | 500 |
| U.L. Rating: | V0 |

DO NOT SCALE



VTE Incorporated
5437 Robinson Road, P.O. Box 790
Pellston, Michigan 49769
Telephone: 1-800-527-9256, 231-539-8000
FAX: 231-539-0914

| | | | |
|-------------------------------------|-----------|------------|---------------------|
| REF: | DATE: | DRN BY: JC | WEIGHT: |
| CUSTOMER DIMS | 3-31-98 | CHK'D BY: | .075 LBS. / 33.9 G. |
| TITLE: MARINE ADAPTER WING NUT BOOT | | | |
| MATERIAL: PVC | | PART NO. | |
| COLOR: BLACK | DRG CLASS | 456N9F14 | |