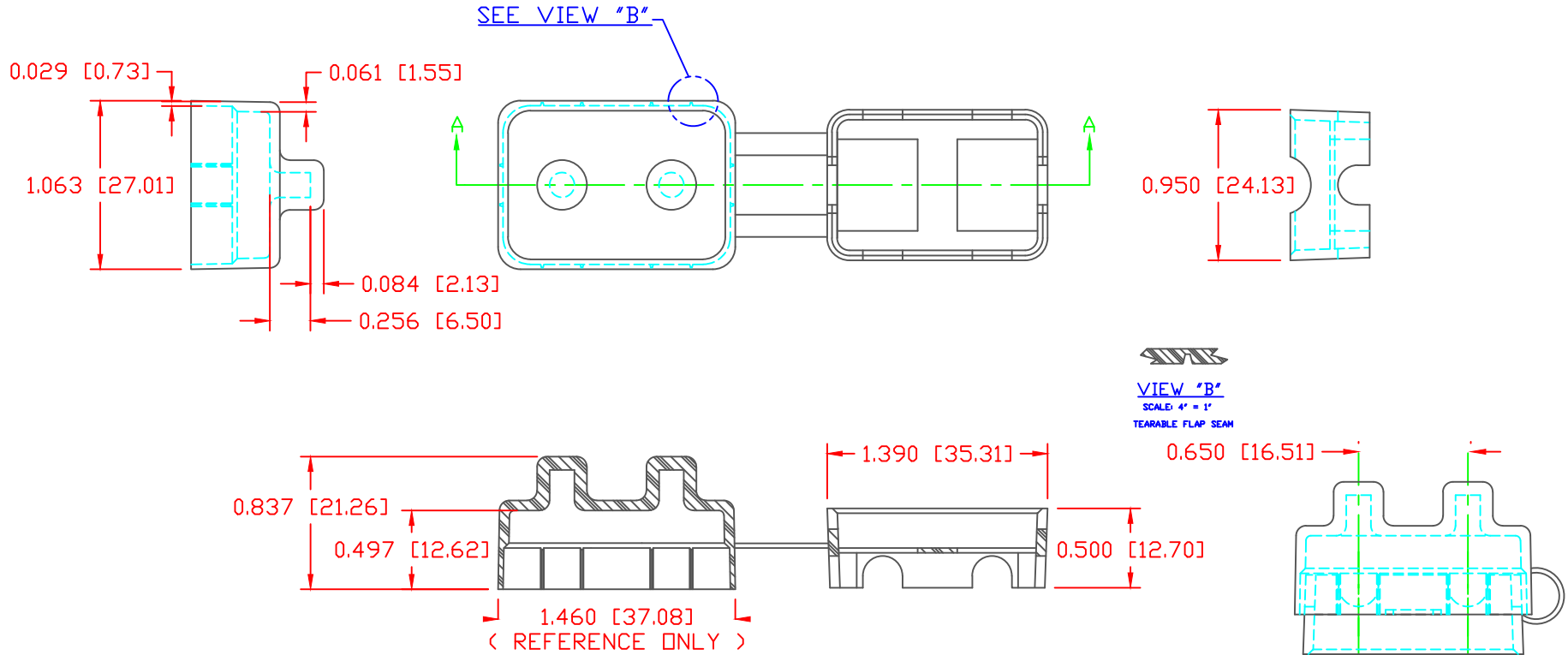


THE INFORMATION CONTAINED IN THIS DRAWING IS THE SOLE PROPERTY OF VTE INCORPORATED. ANY REPRODUCTION IN PART OR WHOLE WITHOUT THE WRITTEN PERMISSION OF VTE INCORPORATED IS PROHIBITED. VTE MAKES NO WARRANTY, EXPRESSED OR IMPLIED, AS TO THE SUITABILITY OF A PRODUCT FOR ANY INTENDED USE. THE CUSTOMER SHALL BEAR THE SOLE RESPONSIBILITY OF DETERMINING THE SUITABILITY OF ANY VTE PRODUCT FOR ITS END USE.

LTR.	REVISIONS	DATE	INT.
A	ADDED RESET CUTOUT, RADIUS CORNER SUPPORTS	08-APR-02	JC
B	UPDATED DIMENSION FROM 1.496 [38.00] AND ADDED "REFERENCE ONLY"	15-MAY-19	RAS
C	REVISED DIMENSION FROM 0.708 [17.99]	15-MAY-19	RAS

TYP. WALL THICKNESS = 1.5



SECTION A-A

SCALE FACTOR : NONE
 ALL DIMENSIONS GIVEN AS: in [mm]
 TOLERANCES UNLESS OTHERWISE SPECIFIED :
 MOLDED PARTS: ±.030" [±0.8mm]
 ALL ANGLES ARE ± 1 DEGREE

MATERIAL PART NO:	1101700114
MATERIAL:	PVC
VENDOR PART NO:	7843-70-BLACK
SHORE DUROMETER:	"A" 10 SEC. 70
SPECIFIC GRAVITY:	1.34
ULT. ELONGATION %:	350
MELTING TEMP:	320-340 F [160-171 C]
BRITTLE TEMP:	-22 F [-30 C]
TENSILE STRENGTH PSI:	1500 PSI
DIELECTRIC STRENGTH, V./mil:	500
U.L. RATING:	V0



VTE Incorporated
 5437 Robinson Road, P.O. Box 790
 Pellston, Michigan 49769
 Telephone: 1-800-527-9256, 231-539-8000
 FAX: 231-539-0914

REF:	DATE:	DRN BY:	WEIGHT:
QA DIMS	4-1-98	JC	.018 LBS. / 7.9 G.
TITLE:		CHK'D BY:	
SHORT STOP CIRCUIT BREAKER COVER			
MATERIAL:	PVC	PART NO.	
COLOR: BLACK	DRG CLASS REV C	464N0V14	