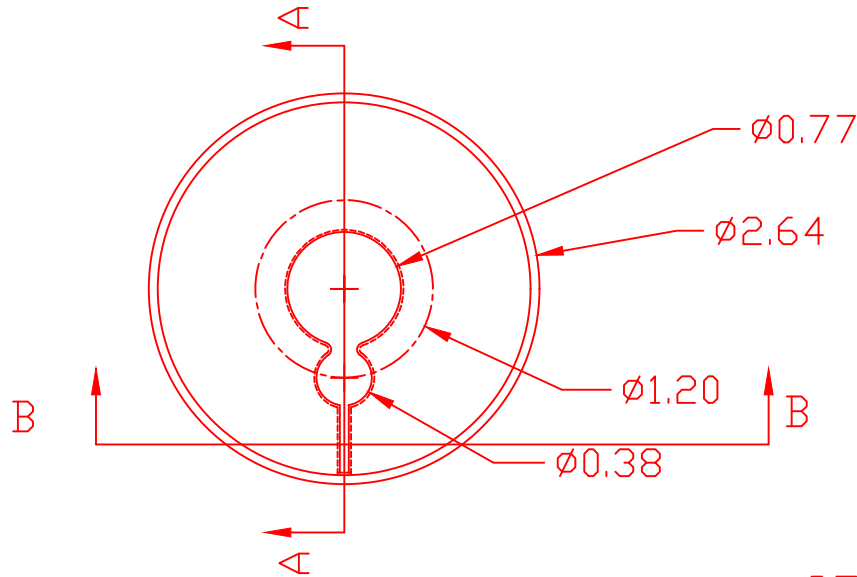
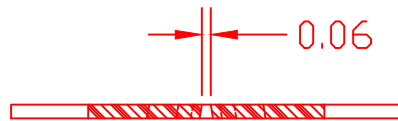


THE INFORMATION CONTAINED IN THIS DRAWING IS THE SOLE PROPERTY OF VTE INCORPORATED. ANY REPRODUCTION IN PART OR WHOLE WITHOUT THE WRITTEN PERMISSION OF VTE INCORPORATED IS PROHIBITED.

LTR.	REVISIONS	DATE	INT.




SECTION A-A



SECTION B-B

MATERIAL PART NO: 1209650300
 MATERIAL: POLYPROPYLENE
 VENDOR PART NO: COPYLENE CR350CL-02
 SPECIFIC GRAVITY: 0.88-0.92
 MELT TEMP., DEGREES F [C]: 248 [120]

		VTE Incorporated 5437 Robinson Road, P.O. Box 790 Pellston, Michigan 49769 Telephone: 1-800-527-9256, 231-539-8000 FAX: 231-539-0914	
		REF: 479 SERIES	DATE: 31-MAY-01
TITLE: POWER POST INSULATOR 3/8"			SCALE: NONE
MATERIAL: POLYPROPYLENE		PART NO: 479B9P00	
COLOR: CLEAR	DRG CLASS		