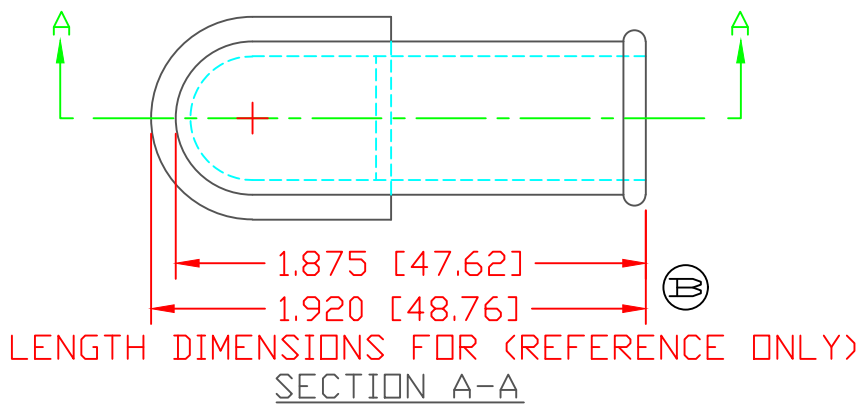
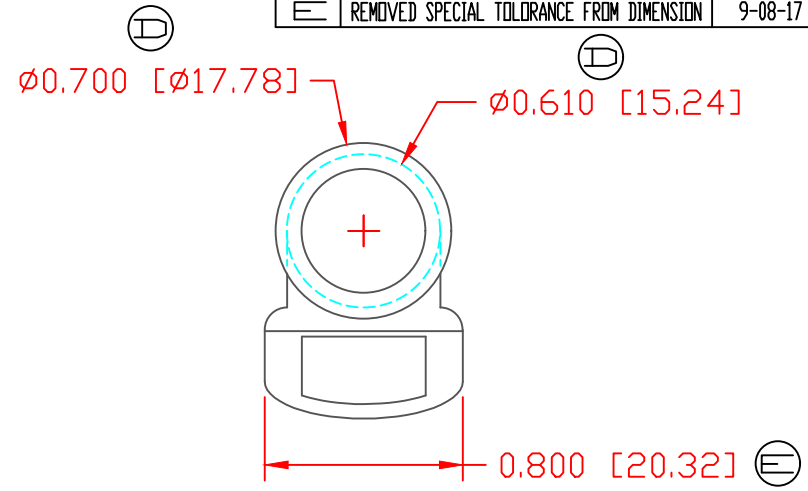
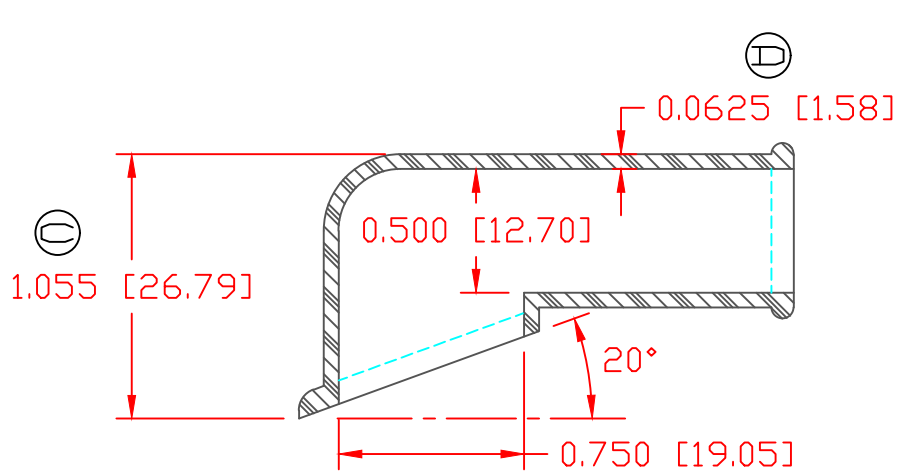



THE INFORMATION CONTAINED IN THIS DRAWING IS THE SOLE PROPERTY OF VTE INCORPORATED. ANY REPRODUCTION IN PART OR WHOLE WITHOUT THE WRITTEN PERMISSION OF VTE INCORPORATED IS PROHIBITED. VTE MAKES NO WARRANTY, EXPRESSED OR IMPLIED, AS TO THE SUITABILITY OF A PRODUCT FOR ANY INTENDED USE. THE CUSTOMER SHALL BEAR THE SOLE RESPONSIBILITY OF DETERMINING THE SUITABILITY OF ANY VTE PRODUCT FOR ITS END USE.

LTR.	REVISIONS	DATE	INT.
A	TOLERANCE ADDED TO REFLECT PART AS MFG.	4-03-03	JC
B	REVISED LENGTH DIMS FROM 1.900 AND 2.000	9-08-17	RAS
C	REVISED DIM FROM 1.069	9-08-17	RAS
D	ADDED ADDITIONAL DIMENSIONS	9-08-17	RAS
E	REMOVED SPECIAL TOLDRANCE FROM DIMENSION	9-08-17	RAS



SCALE FACTOR : NONE
ALL DIMENSIONS GIVEN AS: in [mm]
TOLERANCES UNLESS OTHERWISE SPECIFIED :
ANGLES ±1°
MOLDED PARTS: ±.030" [±0.8mm]

MATERIAL PART NO: 1101650102
MATERIAL: PVC
VENDOR PART NO: 9812-65-RED 683
SHORE DUREMETER: "A" 10 SEC. 65
SPECIFIC GRAVITY: 1.34
ULT. ELONGATION %: 400
MELTING TEMP: 315-335 F [157-168 C]
BRITTLE TEMP: -54 F [-48 C]
TENSILE STRENGTH PSI: 1550 PSI
DIELECTRIC STRENGTH, V./mil: 511
U.L. RATING: V2

		VTE Incorporated 5437 Robinson Road, P.O. Box 790 Pellston, Michigan 49769 Telephone: 1-800-527-9256, 231-539-8000 FAX: 231-539-0914	
		REF: CUSTOMER DIMS	DATE: 4-06-98
TITLE: TERMINAL INSULATOR BOOT			
MATERIAL: PVC	PART NO.		490N9V02
COLOR: RED	DRG CLASS	REV E	