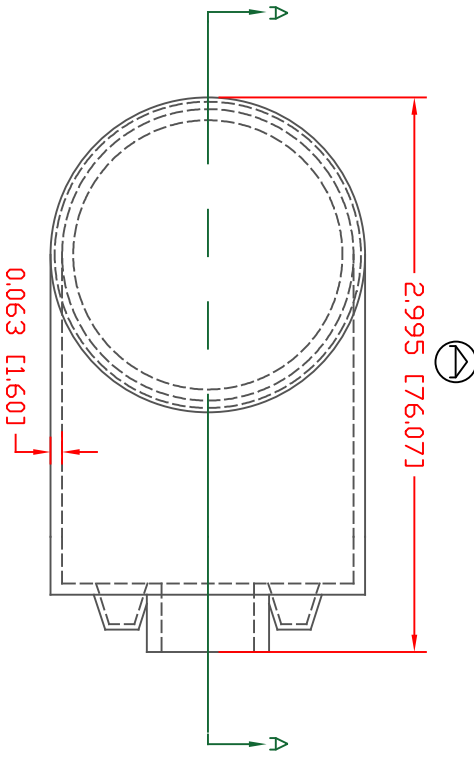
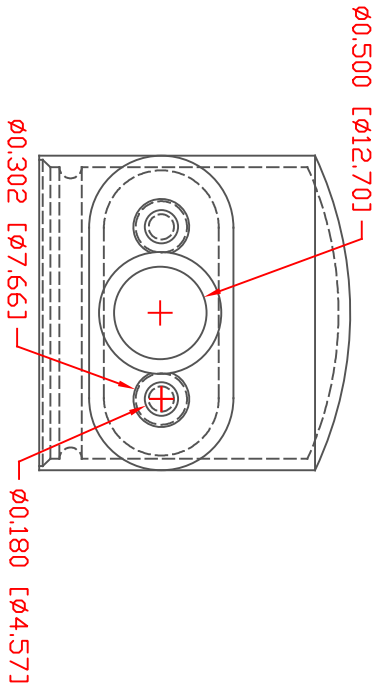
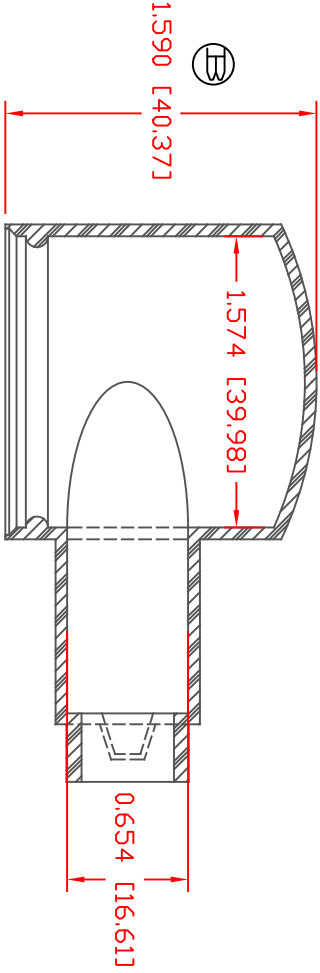


THE INFORMATION CONTAINED IN THIS DRAWING IS THE SOLE PROPERTY OF VTE INCORPORATED. ANY REPRODUCTION IN PART OR WHOLE WITHOUT THE WRITTEN PERMISSION OF VTE INCORPORATED IS PROHIBITED. VTE MAKES NO WARRANTY, EXPRESSED OR IMPLIED, AS TO THE SUITABILITY OF A PRODUCT FOR ANY INTENDED USE. THE CUSTOMER SHALL BEAR THE SOLE RESPONSIBILITY OF DETERMINING THE SUITABILITY OF ANY VTE PRODUCT FOR ITS END USE.

LTR.	REVISIONS	DATE	INT.
A	CHANGED DIMENSION FROM 3.010"	07-07-20	EJE
B	UPDATED DIMENSION FROM 1.680 [42.67]	11-27-24	RAS




TYP. WALL THICKNESS = 1.5



SCALE FACTOR : NONE  
 ALL DIMENSIONS GIVEN AS: In [mm]  
 TOLERANCES UNLESS OTHERWISE SPECIFIED :  
 MOLDED PARTS: ±.030" [0.8mm]  
 ALL ANGLES ARE ± 1 DEGREE

MATERIAL PART NO:  
 MATERIAL:  
 VENDOR PART NO:  
 SHORE DUREMETER:  
 SPECIFIC GRAVITY:  
 ULT. ELONGATION %:  
 MELTING TEMP:  
 BRITTLE TEMP:  
 TENSILE STRENGTH PSI:  
 DIELECTRIC STRENGTH, V./mil  
 UL. RATING:

1101650102  
 PVC  
 9812-65-RED 683  
 #A, 10 SEC. 65  
 1.34  
 400  
 315-335 F [157-168 C]  
 -54 F [-48 C]  
 1550 PSI  
 511  
 V/2



**VTE Incorporated**  
 5437 Robinson Road, P.O. Box 790  
 Pellston, Michigan 49769  
 Telephone: 1-800-527-9256, 231-539-8000  
 FAX: 231-539-0914

REF:	DATE:	DRN BY:	JC	WEIGHT:
	04-08-98	CHK'D BY:	PJK	0.054 lbs [24.80 g]
TITLE: STYLE 3 MARINE BOOT UPPER				
MATERIAL: PVC		PART NO: 600N3V02		
COLOR: RED	DRG CLASS	REV B		