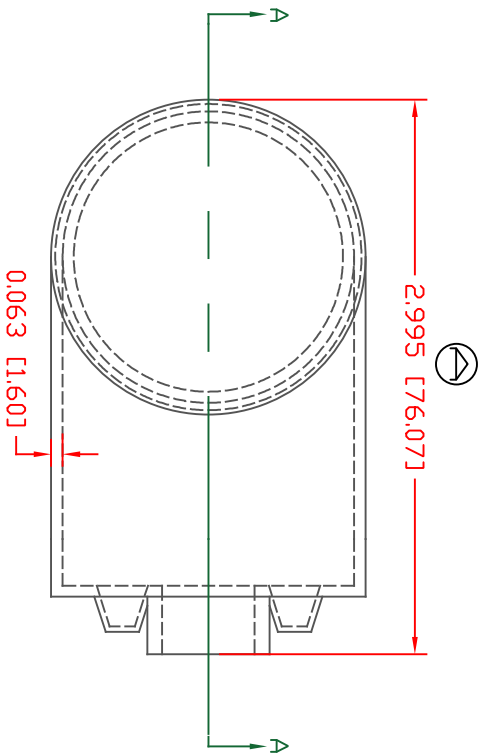
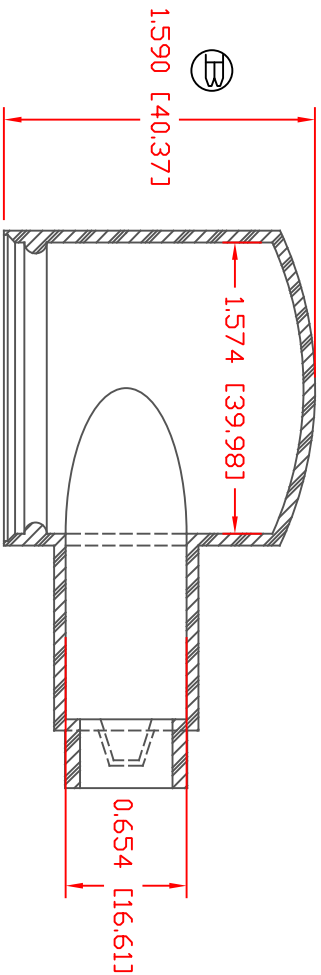


THE INFORMATION CONTAINED IN THIS DRAWING IS THE SOLE PROPERTY OF VTE INCORPORATED. ANY REPRODUCTION IN PART OR WHOLE WITHOUT THE WRITTEN PERMISSION OF VTE INCORPORATED IS PROHIBITED. VTE MAKES NO WARRANTY, EXPRESSED OR IMPLIED, AS TO THE SUITABILITY OF A PRODUCT FOR ANY INTENDED USE. THE CUSTOMER SHALL BEAR THE SOLE RESPONSIBILITY OF DETERMINING THE SUITABILITY OF ANY VTE PRODUCT FOR ITS END USE.

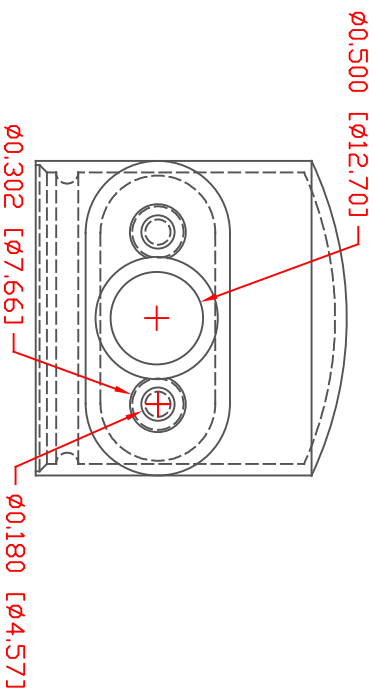
LR.	REVISIONS	DATE	INT.
⊲	CHANGED DIMENSION FROM 3.010"	07-07-20	EJE
⊕	UPDATED DIMENSION FROM 1.680 [42.67]	11-27-24	RAS



TYP. WALL THICKNESS = 1.5

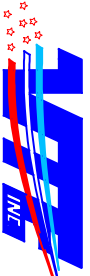


SECTION A-A



SCALE FACTOR : NONE  
ALL DIMENSIONS GIVEN AS: In [mm]  
TOLERANCES UNLESS OTHERWISE SPECIFIED :  
MOLDED PARTS: ±0.30° [±0.8mm]  
ALL ANGLES ARE ± 1 DEGREE

MATERIAL PART NO: 1101650114  
MATERIAL: PVC  
VENDOR PART NO: 9812-65-BLACK  
SHORE DUREMETER: "A" 10 SEC. 65  
SPECIFIC GRAVITY: 1.34  
ULT. ELONGATION %: 400  
MELTING TEMP: 315-335 F [157-168 C]  
BRITTLE TEMP: -54 F [-48 C]  
TENSILE STRENGTH PSI: 1550 PSI  
DIELECTRIC STRENGTH, V./mil: 453  
U.L. RATING: V2



**VTE Incorporated**  
5437 Robinson Road, P.O. Box 790  
Pellston, Michigan 49769  
Telephone: 1-800-527-9256, 231-539-8000  
FAX: 231-539-0914

REF:	DATE:	DRN BY:	JC	WEIGHT:
	04-08-98	CHK'D BY:	PJK	0.054 lbs [24.80 g]
TITLE: STYLE 3 MARINE BOOT UPPER				
MATERIAL:	PVC	PART NO:		600N3V14
COLOR:	BLACK	DRG CLASS:	REV B	