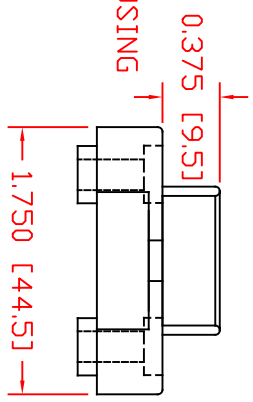
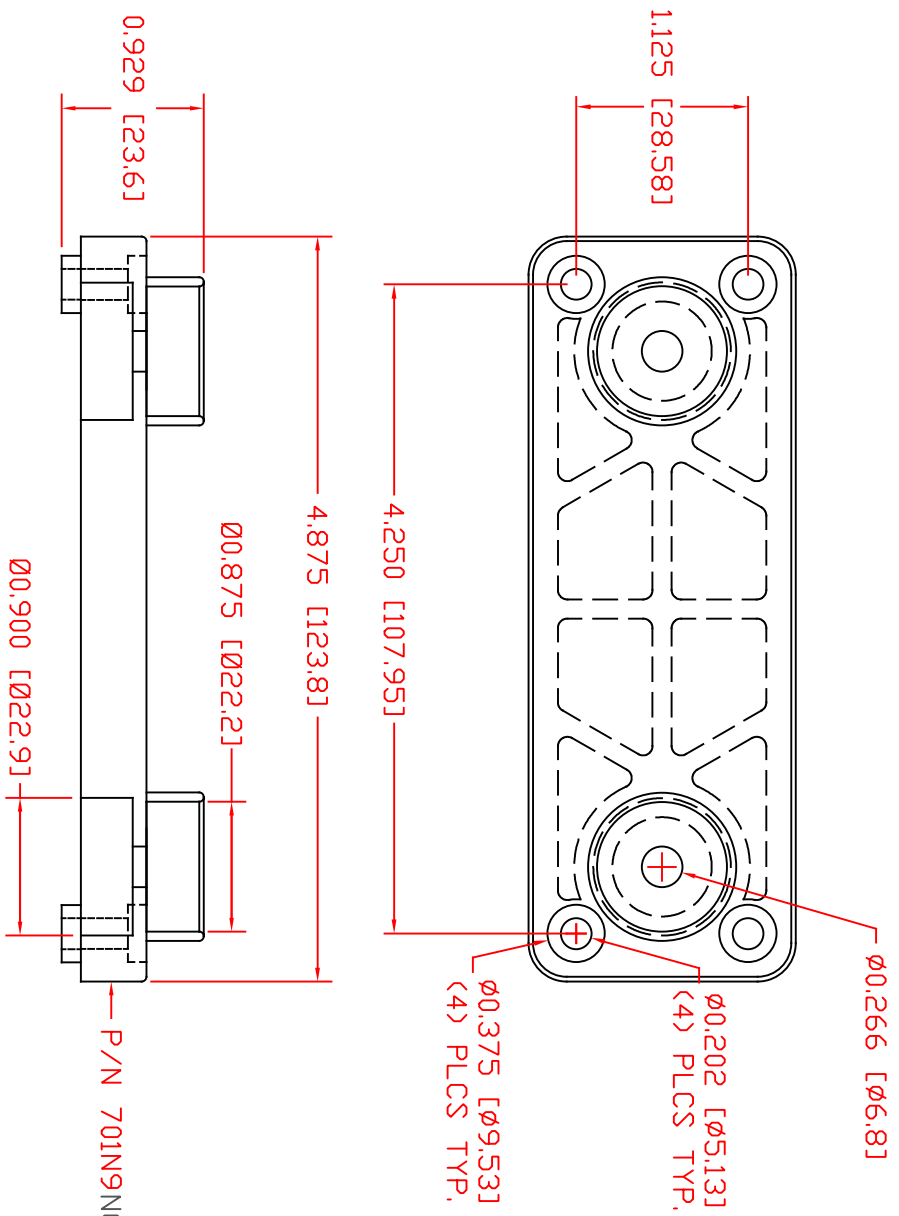


THE INFORMATION CONTAINED IN THIS DRAWING IS THE SOLE PROPERTY OF VTE INCORPORATED. ANY REPRODUCTION IN PART OR WHOLE WITHOUT THE WRITTEN PERMISSION OF VTE INCORPORATED IS PROHIBITED. VTE MAKES NO WARRANTY, EXPRESSED OR IMPLIED, AS TO THE SUITABILITY OF A PRODUCT FOR ANY INTENDED USE. THE CUSTOMER SHALL BEAR THE SOLE RESPONSIBILITY OF DETERMINING THE SUITABILITY OF ANY VTE PRODUCT FOR ITS END USE.

LTR	REVISIONS	DATE	INT.
➤	REVISED MATERIAL INFORMATION	07-17-18	RAS



MATERIAL PART NO:
 MATERIAL:
 VENDOR PART NO:
 SPECIFIC GRAVITY:
 MELTING TEMP:
 UL RATING:

7111210505
 GLASS FILLED NYLON
 HYLDN N2015 HL NAT
 1.23
 515 F [268 C]
 UL 94 HB

SCALE FACTOR : NONE
 ALL DIMENSIONS GIVEN AS: In [mm]
 TOLERANCES UNLESS OTHERWISE SPECIFIED :
 MOLDED PARTS: ± 0.30 " [± 0.8 mm]
 HARDWARE ITEMS: ± 0.10 " [± 0.25 mm]

VTE Incorporated
 5437 Robinson Road, P.O. Box 790
 Pellston, Michigan 49769
 Telephone: 1-800-527-9256, 231-539-8000
 FAX: 231-539-0914



REF:	DATE:	DRN BY:	BRH	WEIGHT:
CUSTOMER DIMS	6-01-09	CHK'D BY:	BRH	
TITLE: TAB TYPE BUSBAR HOUSING, 10, 20, 30 POINT				
MATERIAL: GLASS FILLED NYLON				PART NO:
COLOR: YELLOW				701N9N05
DRG CLASS		REV A		