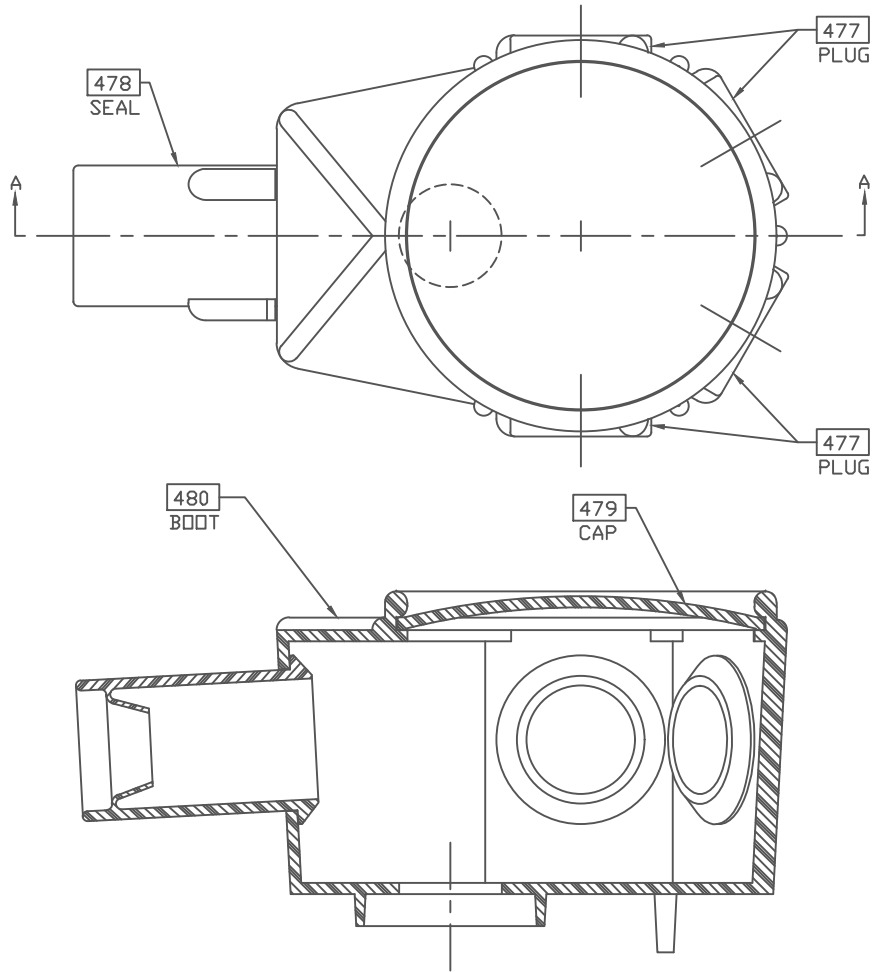


PROPRIETARY RIGHTS ARE CLAIMED FOR THE MATERIAL DISCLOSED IN THIS DRAWING.

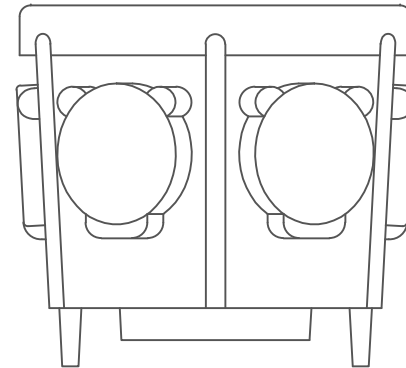


SECTION A-A


LTR.	REVISIONS	DATE	INT.

(1) 70480 KIT CONTAINS THE FOLLOWING

QUANTITY	PART #	DESCRIPTION
8	477NDV05	PLUGS FOR UNUSED PORTS
5	478N3V09	CABLE SEALS, SIZE RANGE 1/0 TO 4/0
1	479N9P14	BLACK CAP
1	479N9P02	RED CAP
2	480N9V05	BATTERY TERMINAL BASE
1	3516	HD MARINE ADAPTER TERM. (+)
1	3622	3/8" SS NYLON INSERT LOCKNUT
1	3517	HD MARINE ADAPTER TERM. (-)
1	3612	5/16" SS NYLON INSERT LOCKNUT
1	DS91722	2.5 oz ANTI-CORROSION GEL



TOLERANCE UNLESS OTHERWISE SPECIFIED:  $\pm 0.030"/\pm 0.8\text{mm}$   
 RADIAL DIAMETERS TO BE MEASURED OVER MANDRELS,  
 RING GAGES OR PIN GAGES OF SUITABLE SIZE

		<b>VTE Incorporated</b> 5437 Robinson Road, P.O. Box 790 Pellston, Michigan 49769 Telephone: 1-800-527-9256, 231-539-8000 FAX: 231-539-0914	
		REF:	DATE: 5-1-98
TITLE: 8D MARINE BATTERY TERMINAL, ASSEMBLY			
MATERIAL:		PART NO. 70480	
COLOR:	DRG CLASS		