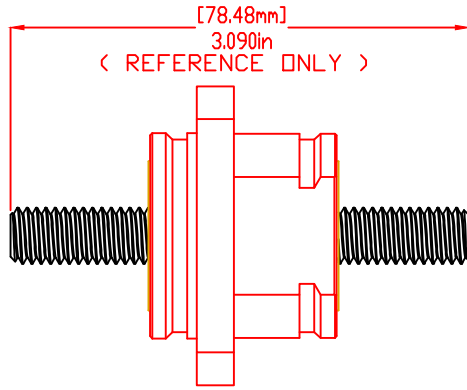
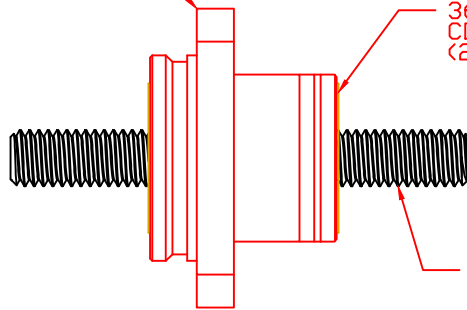


THE INFORMATION CONTAINED IN THIS DRAWING IS THE SOLE PROPERTY OF VTE INCORPORATED. ANY REPRODUCTION IN PART OR WHOLE WITHOUT THE WRITTEN PERMISSION OF VTE INCORPORATED IS PROHIBITED. VTE MAKES NO WARRANTY, EXPRESSED OR IMPLIED, AS TO THE SUITABILITY OF A PRODUCT FOR ANY INTENDED USE. THE CUSTOMER SHALL BEAR THE SOLE RESPONSIBILITY OF DETERMINING THE SUITABILITY OF ANY VTE PRODUCT FOR ITS END USE.

LTR.	REVISIONS	DATE	INT.

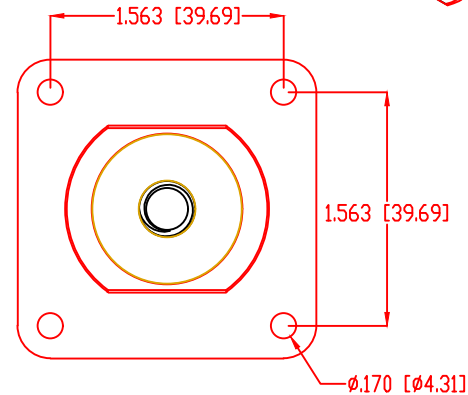
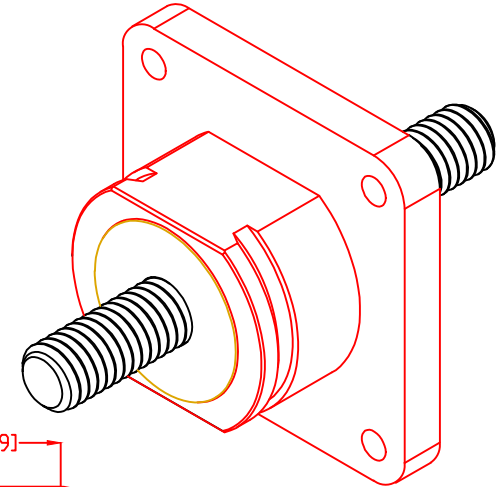


361N5N02  
GLASS FILLED  
NYLON BUSHING



3648-000  
COPPER CONTACT WASHER  
(2) REQ'D

7618-000 ASSEMBLY  
CONSISTS OF P/N'S :  
3755-000 THREADED STUD  
3863-000 COPPER BUSHING



SCALE FACTOR : NONE  
ALL DIMENSIONS GIVEN AS: in [mm]  
TOLERANCES UNLESS OTHERWISE SPECIFIED :  
MOLDED PARTS:  $\pm 0.030^{\circ}$  [ $\pm 0.8\text{mm}$ ]  
HARDWARE ITEMS:  $\pm 0.010^{\circ}$  [ $\pm 0.25\text{mm}$ ]

MATERIAL PART NO:  
MATERIAL:  
VENDOR PART NO:  
SPECIFIC GRAVITY:  
MELTING TEMP:  
U.L. RATING:

7111210502  
GLASS FILLED NYLON  
NYLON N2015 HL NAT  
1.23  
515 F [268 C]  
UL 94 HB



VTE Incorporated  
5437 Robinson Road, P.O. Box 790  
Pellston, Michigan 49769  
Telephone: 1-800-527-9256, 231-539-8000  
FAX: 231-539-0914

REF:	DATE:	DRN BY:	RAS	WEIGHT:
CUSTOMER DIMS	7-12-17	CHK'D BY:	RAS	
TITLE: COPPER CORE POWER BUSHING SUB ASSEMBLY				
MATERIAL: GLASS FILLED NYLON			PART NO.	
COLOR: RED	DRG CLASS	7106N02		