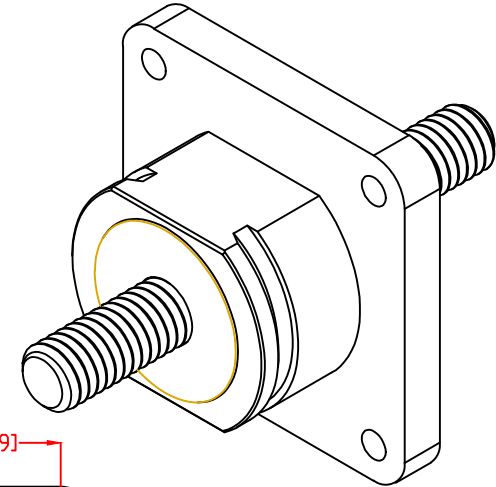
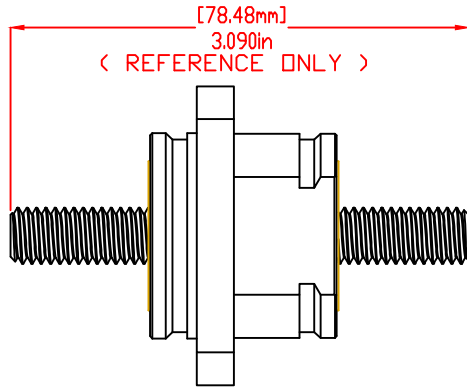
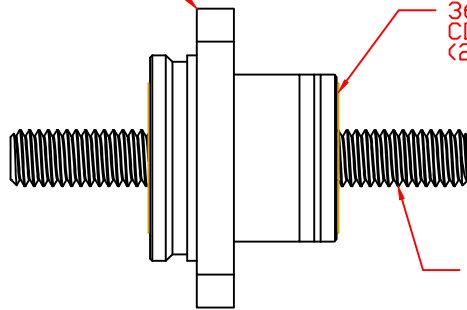


THE INFORMATION CONTAINED IN THIS DRAWING IS THE SOLE PROPERTY OF VTE INCORPORATED. ANY REPRODUCTION IN PART OR WHOLE WITHOUT THE WRITTEN PERMISSION OF VTE INCORPORATED IS PROHIBITED. VTE MAKES NO WARRANTY, EXPRESSED OR IMPLIED, AS TO THE SUITABILITY OF A PRODUCT FOR ANY INTENDED USE. THE CUSTOMER SHALL BEAR THE SOLE RESPONSIBILITY OF DETERMINING THE SUITABILITY OF ANY VTE PRODUCT FOR ITS END USE.

LTR.	REVISIONS	DATE	INT.

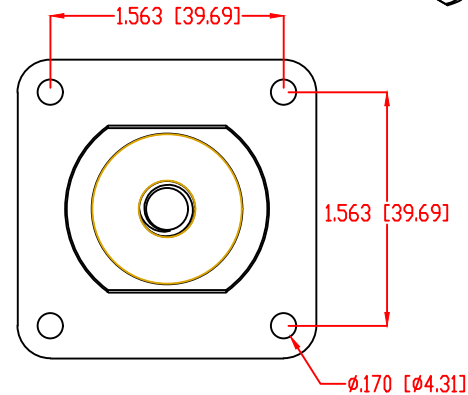


361N5N14
GLASS FILLED
NYLON BUSHING



3648-000
COPPER CONTACT WASHER
(2) REQ'D


7618-000 ASSEMBLY
CONSISTS OF P/N'S :
3755-000 THREADED STUD
3863-000 COPPER BUSHING



SCALE FACTOR : NONE
ALL DIMENSIONS GIVEN AS: in [mm]
TOLERANCES UNLESS OTHERWISE SPECIFIED :
MOLDED PARTS: $\pm 0.030^{\circ}$ [$\pm 0.8\text{mm}$]
HARDWARE ITEMS: $\pm 0.010^{\circ}$ [$\pm 0.25\text{mm}$]

MATERIAL PART NO:
MATERIAL:
VENDOR PART NO:
SPECIFIC GRAVITY:
MELTING TEMP:
U.L. RATING:

111210514UL
GLASS FILLED NYLON
HYLON N2015 HL BK
1.23
515 F [268 C]
UL 94 HB

		VTE Incorporated 5437 Robinson Road, P.O. Box 790 Pellston, Michigan 49769 Telephone: 1-800-527-9256, 231-539-8000 FAX: 231-539-0914	
		REF: CUSTOMER DIMS	DATE: 7-12-17
TITLE: COPPER CORE POWER BUSHING SUB ASSEMBLY		CHK'D BY: RAS	
MATERIAL: GLASS FILLED NYLON		PART NO. 7106N14	
COLOR: BLACK	DRG CLASS		