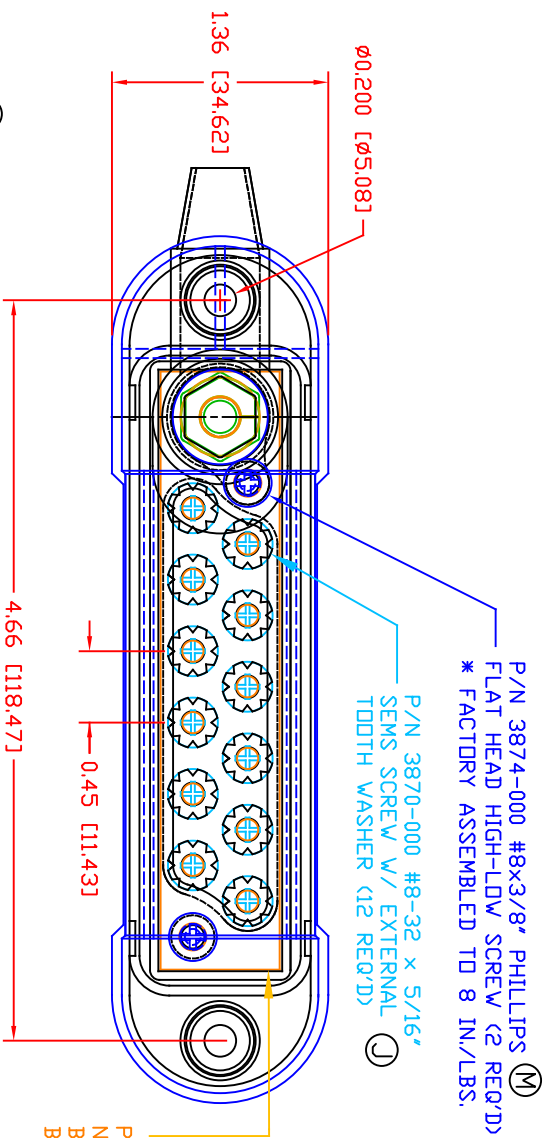
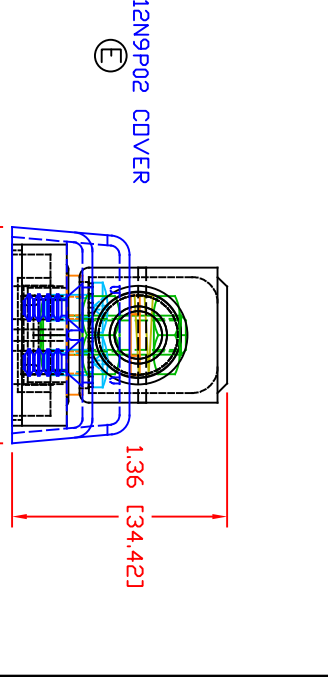
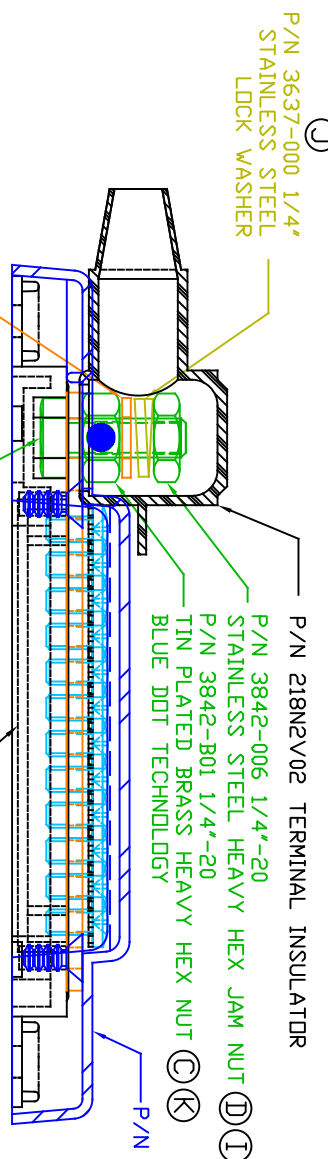


THE INFORMATION CONTAINED IN THIS DRAWING IS THE SOLE PROPERTY OF VTE INCORPORATED. ANY REPRODUCTION IN PART OR WHOLE WITHOUT THE WRITTEN PERMISSION OF VTE INCORPORATED IS PROHIBITED. VTE MAKES NO WARRANTY, EXPRESSED OR IMPLIED, AS TO THE SUITABILITY OF A PRODUCT FOR ANY INTENDED USE. THE CUSTOMER SHALL BEAR THE SOLE RESPONSIBILITY OF DETERMINING THE SUITABILITY OF ANY VTE PRODUCT FOR ITS END USE.




LTR	REVISIONS	DATE	INT.
A	3874-000 WAS 3872, 3873-001 WAS 3873	10-03-16	BRH
B	ADDED SUB ASSEMBLY P/N 73873-001	10-11-06	BRH
C	3842-001 ADDED 1 PLC, 3842-002 REMOVED 1 PLC	04-20-07	BRH
D	3842-003 WAS 3842-002	08-22-07	BRH
E	COVER 312N9P02 WAS 313N0V00	10-02-08	BRH
F	ADDED TORQUE SPECIFICATION	01-21-14	BRH
G	REMOVED SUB-ASSEMBLY NOTE P/N 73873	02-04-16	RAS
H	UPDATED TORQUE SPEC	08-09-16	MDL
I	3842-006 WAS 3842-003	03-24-17	JMM
J	3637-000 WAS 3637, 3870-000 WAS 3870	03-30-17	JMM
K	3842-B01 WAS 3842-001	06-14-17	JMM
L	ADDED FACTORY TORQUE SPEC TO 3874-000	5-23-24	RAS
M	REVISED TORQUE SPEC FROM 10 IN./LBS.	11-13-24	RAS



P/N 3637-000 1/4" STAINLESS STEEL LOCK WASHER
 P/N 3644-001 1/4" I.D. x .500" O.D. STAINLESS STEEL FLAT WASHER
 P/N 218N2V02 TERMINAL INSULATOR
 P/N 3842-006 1/4"-20 STAINLESS STEEL HEAVY HEX JAM NUT
 P/N 3842-B01 1/4"-20 TIN PLATED BRASS HEAVY HEX NUT
 BLUE DDT TECHNOLOGY
 P/N 312N9P02 COVER
 P/N 31225N02 MOLDED BASE
 P/N 3736-002 1/4"-20 x .750" STAINLESS STEEL HEX HEAD MACHINE SCREW
 P/N 3873-001 NICKEL PLATED BRASS ALLOY BUS STRIP
 P/N 312N9P02 COVER
 P/N 31225N02 MOLDED BASE
 P/N 3736-002 1/4"-20 x .750" STAINLESS STEEL HEX HEAD MACHINE SCREW
 P/N 3644-001 1/4" I.D. x .500" O.D. STAINLESS STEEL FLAT WASHER
 P/N 3637-000 1/4" STAINLESS STEEL LOCK WASHER

MATERIAL PART NO: 711210502
 MATERIAL: GLASS FILLED NYLON
 VENDOR PART NO: HYLON N2015 HL NAT
 SPECIFIC GRAVITY: 1.23
 MELTING TEMP: 515 F [268 C]
 UL RATING: UL 94 HB
 INCLUDES P-1680811001 BLUE DDT MULTI LABEL, 1 PER CONTAINER
 TESTED AT 240 AMPS @ 12VDC FOR 30 MINUTES, MAXIMUM TEMPERATURE RISE WAS 7.8 DEG. C. MAXIMUM TEMPERATURE RECORDED WAS 30.6 DEG. C.

SCALE FACTOR : NONE
 ALL DIMENSIONS GIVEN AS: in [mm]
 TOLERANCES UNLESS OTHERWISE SPECIFIED :
 MOLDED PARTS: ±0.30" [±0.8mm]
 HARDWARE ITEMS: ±.010" [±0.25mm]


VTE Incorporated
 5437 Robinson Road, P.O. Box 790
 Pellston, Michigan 49769
 Telephone: 1-800-527-9256, 231-539-8000
 FAX: 231-539-0914

REF.	DATE	DRN BY:	BRH	WEIGHT:
CUSTOMER DIMS	08-22-05	CHK'D BY:	BRH	
TITLE:	12-POINT TERMINAL STRIP		SCALE:	
MATERIAL:	GLASS-FILLED NYLON		PART NO:	71225N02
COLOR:	RED	DRG CLASS	REV M	