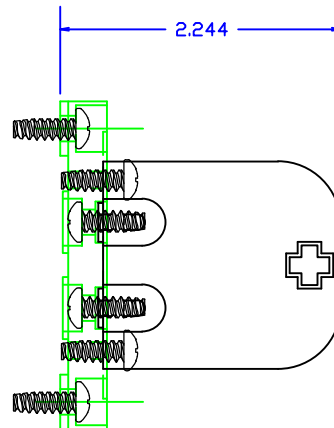
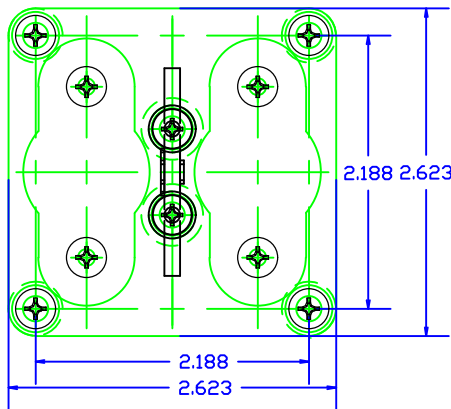
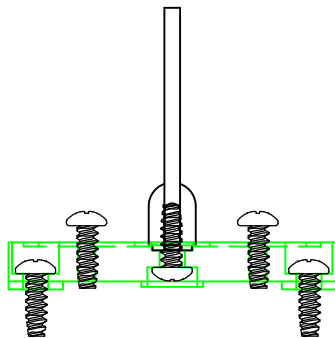


THE INFORMATION CONTAINED IN THIS DRAWING IS THE SOLE PROPERTY OF VTE INCORPORATED. ANY REPRODUCTION IN PART OR WHOLE WITHOUT THE WRITTEN PERMISSION OF VTE INCORPORATED IS PROHIBITED.

LTR.	REVISIONS	DATE	INT.
△	UPDATED PART DESCRIPTION	01DEC16	RAS




LOOSE PACKED ITEMS:

P/N 3880-001
 8-16 X 1/2" PAN HEAD PHILLIPS
 THREAD-FORMING ZINC PLATED
 SCREW
 10 REQ'D.

P/N 318N1V14 SAFETY DIVIDER
 1 REQUIRED
 P/N 325N0N14 MOUNTING PLATE
 1 REQUIRED

TOLERANCE UNLESS OTHERWISE SPECIFIED:
 MOLDED PRODUCTS ONLY: ±.030"/±0.8mm
 HARDWARE ITEMS: ±0.010"/±0.25mm
 RADIAL DIAMETERS TO BE MEASURED OVER MANDRELS,
 RING GAGES OR PIN GAGES OF SUITABLE SIZE



		VTE Incorporated 5437 Robinson Road, P.O. Box 790 Pellston, Michigan 49769 Telephone: 1-800-527-9256, 231-539-8000 FAX: 231-539-0914	
		REF: ***	DATE: 1OCT14
TITLE: DUAL SMALL POST MOUNTING PLATE ASM.			SCALE:
MATERIAL:		PART NO.	
COLOR: BLACK	DRG CLASS: *****	72770000X1	