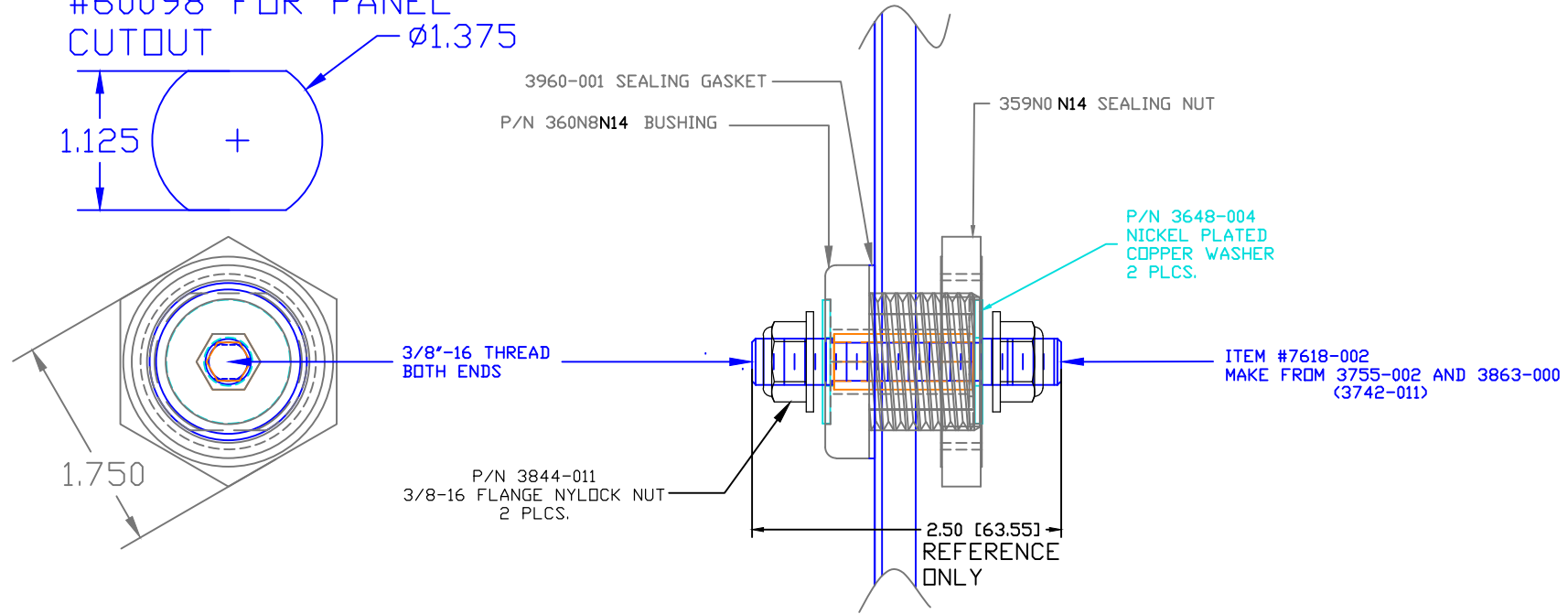


THE INFORMATION CONTAINED IN THIS DRAWING IS THE SOLE PROPERTY OF VTE INCORPORATED. ANY REPRODUCTION IN PART OR WHOLE WITHOUT THE WRITTEN PERMISSION OF VTE INCORPORATED IS PROHIBITED.

LTR.	REVISIONS	DATE	INT.
△	UPDATED FASTENER USAGE	5/17/16	RAS

MAKE FROM: P/N 7376XL114

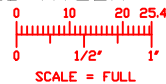
USE GREENLEE  
PUNCH ASSEMBLY  
#60098 FOR PANEL  
CUTOUT




**MAXIMUM FASTENER TORQUES:**  
 NYLOCK NUTS: 15 FT./LBS. (180 IN./LBS.) RECOMMENDED FOR SINGLE USE  
 SEALING NUT: 10 FT./LBS. (120 IN./LBS.)

CURRENT CARRYING CAPACITY: 80%  
 DUTY CYCLE: 5.2 Kw (440 AMP @ 12VDC)  
 CURRENT CAPACITY: 6.6 Kw (550 AMP @ 12VDC)  
 TEMPORARY MAX (12 MINUTES)

BASE MATERIAL: GLASS-REINFORCED NYLON  
 BASE MATERIAL U.L. RATING: 94 HB  
 VTE MATERIAL P/N: 1111210514



TOLERANCE UNLESS OTHERWISE SPECIFIED:  
 MOLDED PRODUCTS ONLY: ±0.30"/±0.8mm  
 HARDWARE ITEMS: ±0.010"/±0.25mm  
 RADIAL DIAMETERS TO BE MEASURED OVER MANDRELS,  
 RING GAGES OR PIN GAGES OF SUITABLE SIZE

		<b>VTE Incorporated</b> 5437 Robinson Road, P.O. Box 790 Pellston, Michigan 49769 Telephone: 1-800-527-9256, 231-539-8000 FAX: 231-539-0914		
		REF:	DATE:	DRN BY:
		22MAR16	RAS	
		CHK'D BY:	RAS	
TITLE: POWER BUSHING, COPPER CORE, FOR LITHIONICS			SCALE:	
MATERIAL:		PART NO.		
		CCBXL114		
COLOR:	DRG CLASS			