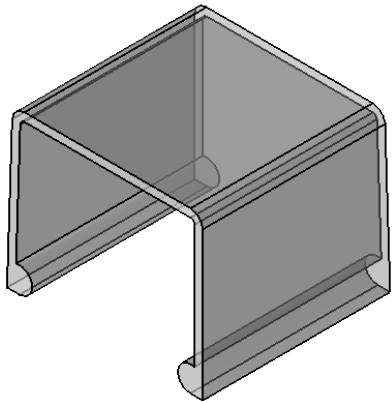
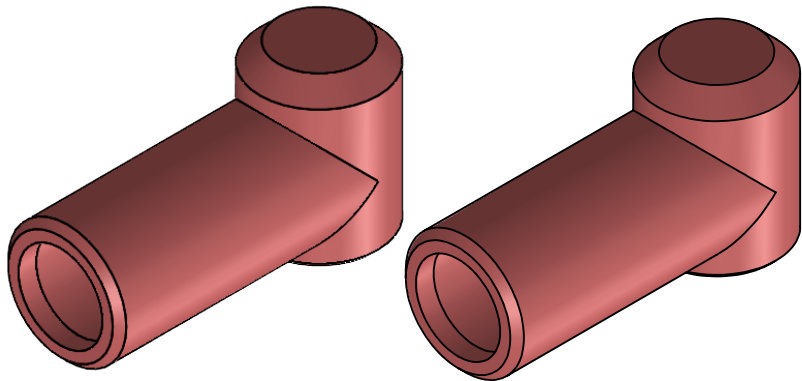


REVISIONS			
REV.	DESCRIPTION	DATE	APPROVED
C	Redrawn in Solidworks	8/1/2024	RAS



PACKAGE CONSISTS OF :  
 (2) 407N8V02 INSULATOR CAP  
 (1) 342NOV00 FUSE COVER (CLEAR)  
 (1) 3" X 4" RESEALABLE POLY BAG

ALL DIMENSIONS GIVEN AS : INCH [METRIC]  
 TOLERANCES UNLESS OTHERWISE SPECIFIED :  
 MOLDED PRODUCTS : ±.030" / ±0.8mm  
 HARDWARE PRODUCTS : ±.010" / ±0.25mm

PRINTED COPIES ARE NOT CONTROLLED

**PROPRIETARY AND CONFIDENTIAL**  
 THE INFORMATION CONTAINED IN THIS  
 DRAWING IS THE SOLE PROPERTY OF  
 VTE INCORPORATED. ANY REPRODUCTION  
 IN PART OR AS A WHOLE WITHOUT THE WRITTEN  
 PERMISSION OF VTE INCORPORATED PROHIBITED.



**VTE INCORPORATED**

5437 Robinson Road, P.O. Box 790  
 Pellston, Michigan 49769 USA  
 Telephone : 1-800-527-9256, 231-539-8000  
 Fax : 231-539-0914, Efax : 231-344-5914

REV	NAME	DATE
	RAS	8-1-24
SIZE	CHECKED BY:	
<b>C</b>		
DO NOT SCALE DRAWING		

TITLE:	Accessory Kit for ANB740
DWG. NO.	<b>740N1</b>