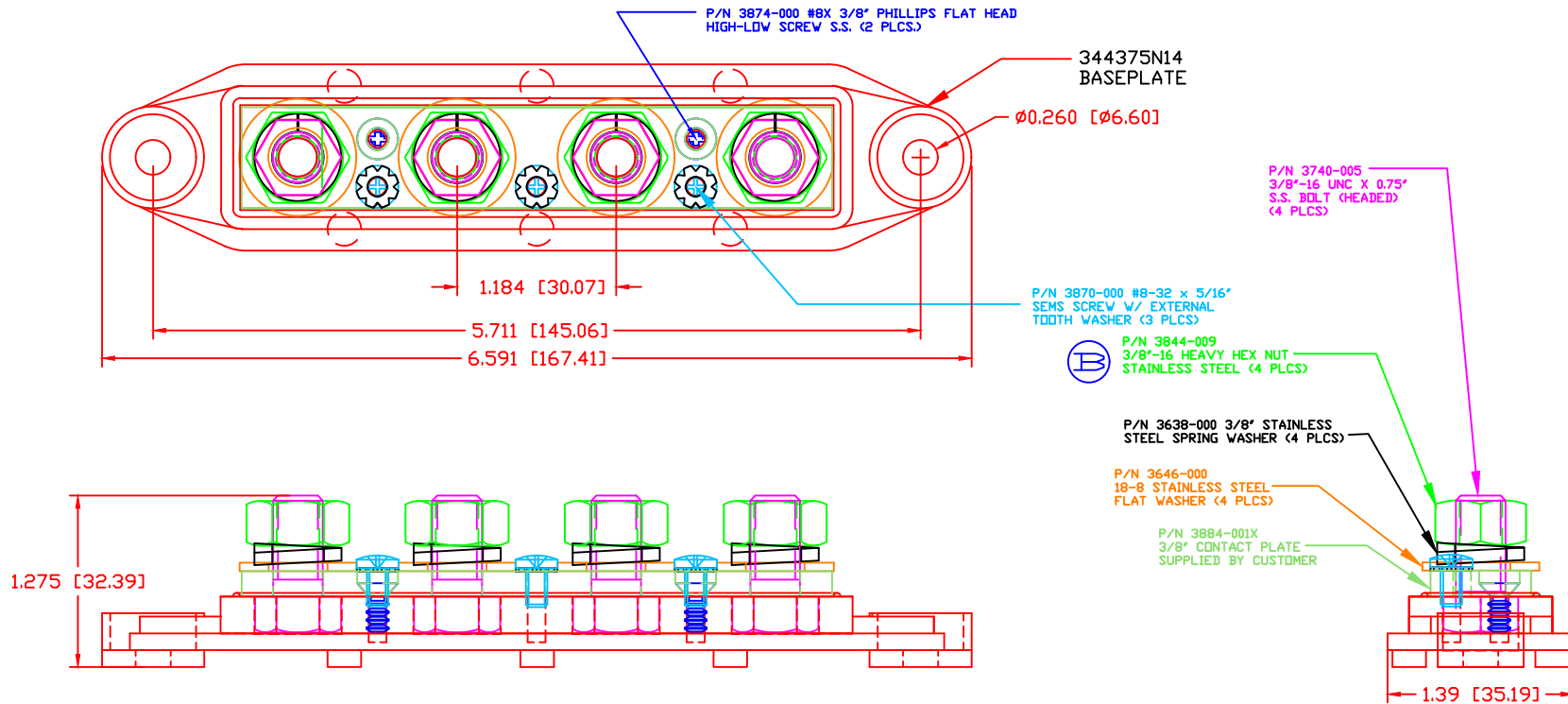


THE INFORMATION CONTAINED IN THIS DRAWING IS THE SOLE PROPERTY OF VTE INCORPORATED. ANY REPRODUCTION IN PART OR WHOLE WITHOUT THE WRITTEN PERMISSION OF VTE INCORPORATED IS PROHIBITED.

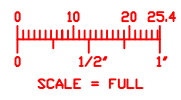
LTR.	REVISIONS	DATE	INT.
A	REMOVED BLUE DOT INSTRUCTION	21OCT15	RAS
B	REPLACED P/N 3844-002 WITH P/N 3844-009	18MARI6	RAS
C	UPDATED CURRENT RATING	02JUN16	RAS
D	ASSEMBLY OBSOLETE 8-08-17	8-15-17	RAS



TOLERANCE UNLESS OTHERWISE SPECIFIED:  
 MOLDED PRODUCTS ONLY: ±0.30"/±0.8mm  
 HARDWARE ITEMS: ±0.010"/±0.25mm  
 RADIAL DIAMETERS TO BE MEASURED OVER MANDRELS,  
 RING GAGES OR PIN GAGES OF SUITABLE SIZE

MAXIMUM RECOMMENDED FASTENER TORQUE: 15 FT./LBS. (180 IN./LBS.)  
 MAXIMUM RECOMMENDED AMPERAGE: 350 AMPS @ 12VDC

BASE MATERIAL: GLASS-REINFORCED NYLON  
 BASE MATERIAL U.L. RATING: 94 HB  
 VTE MATERIAL P/N: 111210514



**VTE Incorporated**  
 5437 Robinson Road, P.O. Box 790  
 Pellston, Michigan 49769  
 Telephone: 1-800-527-9256, 231-539-8000  
 FAX: 231-539-0914

REF: *****	DATE: 08MAY13	DRN BY: BRH	WEIGHT: *****
TITLE: BUSBAR, 4 POINT, 3/8" SPECIAL FOR EMP			SCALE:
MATERIAL:		PART NO.	
COLOR: *****		74375N0N14X1	
DRG CLASS *****			