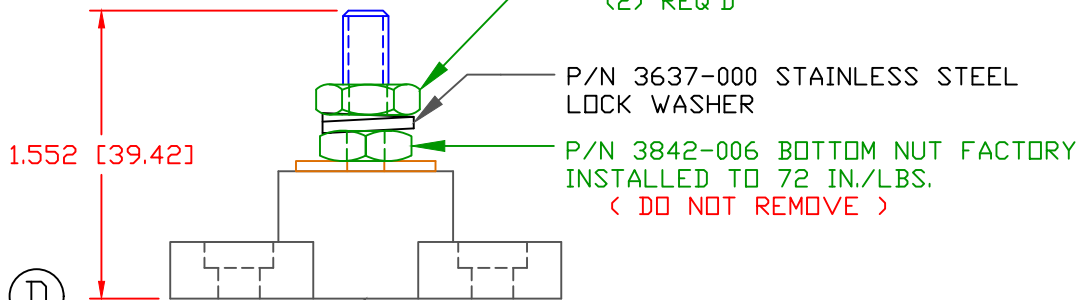
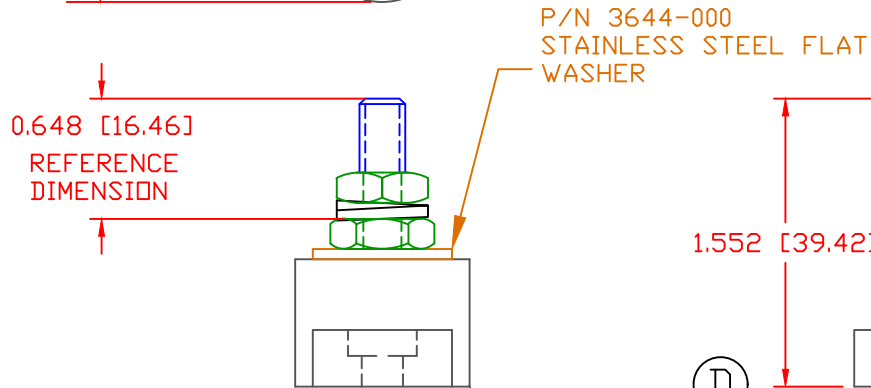
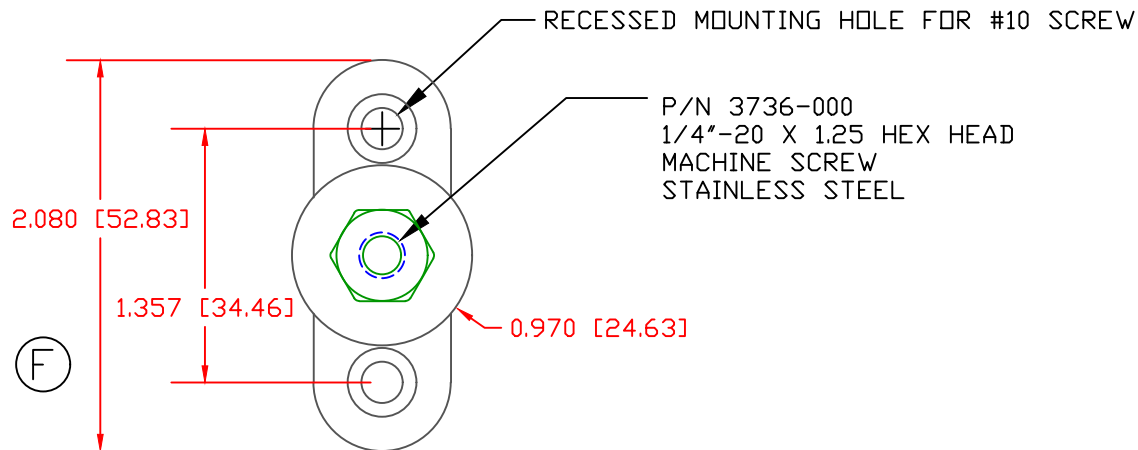


THE INFORMATION CONTAINED IN THIS DRAWING IS THE SOLE PROPERTY OF VTE INCORPORATED. ANY REPRODUCTION IN PART OR WHOLE WITHOUT THE WRITTEN PERMISSION OF VTE INCORPORATED IS PROHIBITED. VTE MAKES NO WARRANTY, EXPRESSED OR IMPLIED, AS TO THE SUITABILITY OF A PRODUCT FOR ANY INTENDED USE. THE CUSTOMER SHALL BEAR THE SOLE RESPONSIBILITY OF DETERMINING THE SUITABILITY OF ANY VTE PRODUCT FOR ITS END USE.

LTR.	REVISIONS	DATE	INT.
A	3842-003 WAS 3842	5-19-05	BRH
B	ADDED OPTIONAL CONSTRUCTION NOTE	4-04-06	BRH
C	REMOVED OPTIONAL CONSTRUCTION NOTE	10-20-15	RAS
D	PN 329NDV** CHANGED TO 329N0N**	6-23-16	MDL
E	3842-006 WAS 3842-003	3-24-17	JMM
F	UPDATED AND ADDED DIMENSIONS FOR MOUNTING	7-31-17	RAS
G	REPLACED CURRENT LIMITS WITH TEMPERATURE LIMIT	10-12-18	RAS



SCALE FACTOR : NONE
 ALL DIMENSIONS GIVEN AS: in [mm]
 TOLERANCES UNLESS OTHERWISE SPECIFIED :
 MOLDED PARTS: ±0.30" [±0.8mm]
 HARDWARE ITEMS: ±0.10" [±0.25mm]

MATERIAL PART NO: 7111210502
 MATERIAL: GLASS FILLED NYLON
 VENDOR PART NO: HYLON N2015 HL NAT
 SPECIFIC GRAVITY: 1.23
 MELTING TEMP: 515 F [268 C]
 U.L. RATING: UL 94 HB

(G) OVERALL ASSEMBLY TEMPERATURE NOT TO EXCEED 140 DEGREES F (60 DEGREES C)
 MAXIMUM RECOMMENDED TORQUE: 60 IN./LBS.

DO NOT SCALE

VTE Incorporated
 5437 Robinson Road, P.O. Box 790
 Pellston, Michigan 49769
 Telephone: 1-800-527-9256, 231-539-8000
 FAX: 231-539-0914

REF:	DATE: 09APR03	DRN BY: BRH	WEIGHT:
		CHK'D BY: BRH	
TITLE: 1/4" SMALL JUNCTION STUD			SCALE:
MATERIAL:		PART NO. 77025N02	
COLOR: RED	DRG CLASS	REV G	