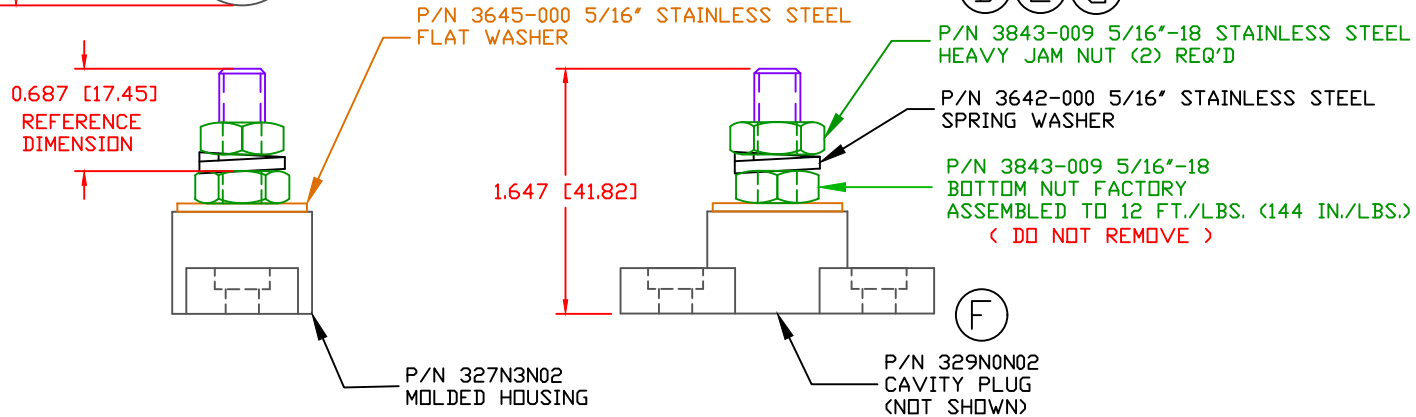
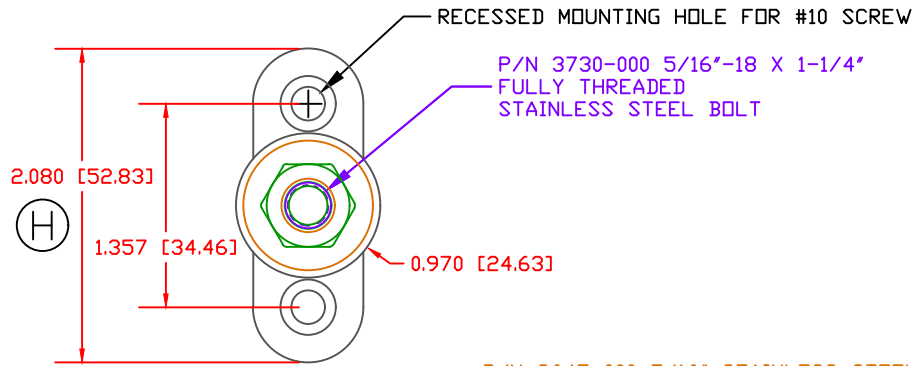


THE INFORMATION CONTAINED IN THIS DRAWING IS THE SOLE PROPERTY OF VTE INCORPORATED. ANY REPRODUCTION IN PART OR WHOLE WITHOUT THE WRITTEN PERMISSION OF VTE INCORPORATED IS PROHIBITED. VTE MAKES NO WARRANTY, EXPRESSED OR IMPLIED, AS TO THE SUITABILITY OF A PRODUCT FOR ANY INTENDED USE. THE CUSTOMER SHALL BEAR THE SOLE RESPONSIBILITY OF DETERMINING THE SUITABILITY OF ANY VTE PRODUCT FOR ITS END USE.

LTR.	REVISIONS	DATE	INT.
A	ADDED MATERIAL AND PERFORMANCE NOTES	1-22-04	BRH
B	REVISED PERFORMANCE NOTES	2-23-04	BRH
C	3843-002 WAS 3843	5-19-05	BRH
D	ADDED OPTIONAL CONSTRUCTION NOTE AND -000 SUFFIXES	4-04-06	BRH
E	REMOVED OPTIONAL CONSTRUCTION NOTE	10-20-15	RAS
F	PN 329NOV** CHANGED TO PN 329NON**	6-23-16	MDL
G	REPLACED P/N 3843-001 WITH P/N 3843-009	1-16-17	RAS
H	UPDATED AND ADDED DIMENSIONS FOR MOUNTING	7-31-17	RAS
I	REPLACED CURRENT LIMITS WITH TEMPERATURE LIMIT	10-12-18	RAS




SCALE FACTOR : NONE  
 ALL DIMENSIONS GIVEN AS: in [mm]  
 TOLERANCES UNLESS OTHERWISE SPECIFIED :  
 MOLDED PARTS: ±.030" [±0.8mm]  
 HARDWARE ITEMS: ±.010" [±0.25mm]

MATERIAL PART NO: 7111210502  
 MATERIAL: GLASS FILLED NYLON  
 HYLON N2015 HL NAT  
 VENDOR PART NO: 1.23  
 SPECIFIC GRAVITY: 515 F [268 C]  
 MELTING TEMP: UL 94 HB

(A)  
(B)  
(I)

OVERALL ASSEMBLY TEMPERATURE NOT TO EXCEED 140 DEGREES F ( 60 DEGREES C )

MAXIMUM RECOMMENDED TORQUE: 10 FT./LBS. (120 IN./LBS.)



**VTE Incorporated**  
 5437 Robinson Road, P.O. Box 790  
 Pellston, Michigan 49769  
 Telephone: 1-800-527-9256, 231-539-8000  
 FAX: 231-539-0914

REF:	DATE: 4-09-03	DRN BY: BRH CHK'D BY: BRH	WEIGHT:
TITLE: 5/16" SMALL JUNCTION STUD			SCALE:
MATERIAL: GLASS-FILLED NYLON		PART NO. 77031N02	
COLOR: RED	DRG CLASS REV I		