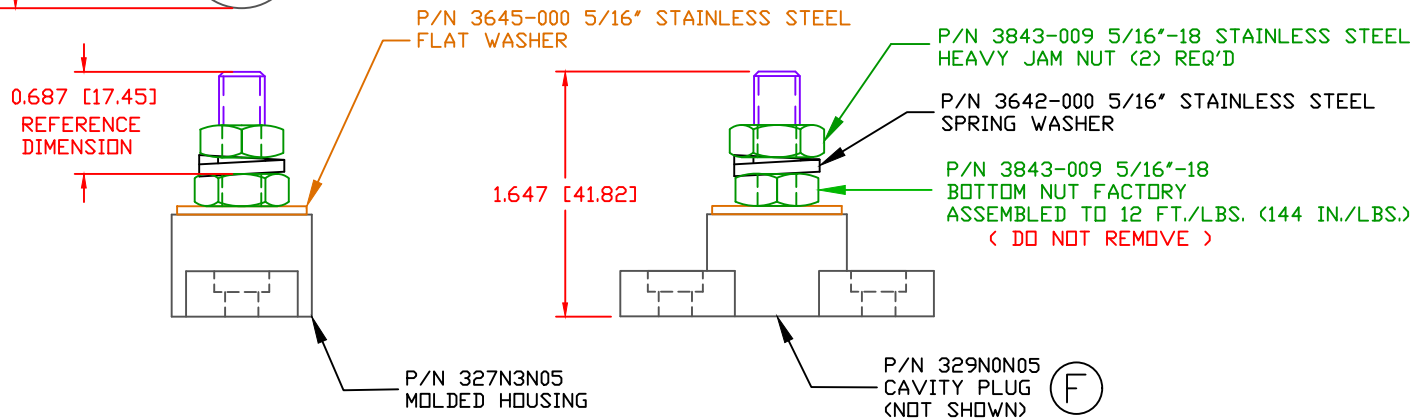
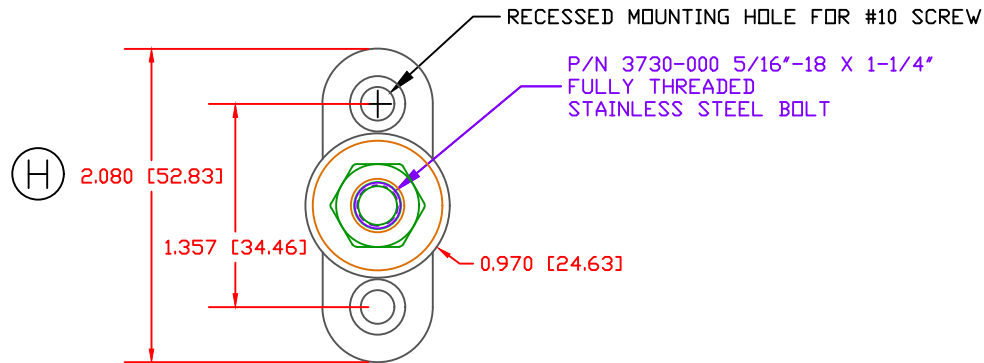


THE INFORMATION CONTAINED IN THIS DRAWING IS THE SOLE PROPERTY OF VTE INCORPORATED. ANY REPRODUCTION IN PART OR WHOLE WITHOUT THE WRITTEN PERMISSION OF VTE INCORPORATED IS PROHIBITED.

| LTR. | REVISIONS                                          | DATE     | INT. |
|------|----------------------------------------------------|----------|------|
| A    | ADDED MATERIAL AND PERFORMANCE NOTES               | 1-22-04  | BRH  |
| B    | REVISED PERFORMANCE NOTES                          | 2-23-04  | BRH  |
| C    | 3843-002 WAS 3843                                  | 5-19-05  | BRH  |
| D    | ADDED OPTIONAL CONSTRUCTION NOTE AND -000 SUFFIXES | 4-04-06  | BRH  |
| E    | REMOVED OPTIONAL CONSTRUCTION NOTE                 | 10-20-15 | RAS  |
| F    | PN 329NOV** CHANGED TO PN 329NON**                 | 6-23-16  | MDL  |
| G    | REPLACED P/N 3843-001 WITH P/N 3843-009            | 1-16-17  | RAS  |
| H    | UPDATED AND ADDED DIMENSIONS FOR MOUNTING          | 7-31-17  | RAS  |




(D)(E)(G)

(F)

TOLERANCE UNLESS OTHERWISE SPECIFIED:  $\pm 0.030"/\pm 0.8\text{mm}$   
 RADIAL DIAMETERS TO BE MEASURED OVER MANDRELS,  
 RING GAGES OR PIN GAGES OF SUITABLE SIZE

|                             |                             |
|-----------------------------|-----------------------------|
| BASE MATERIAL:              | GLASS-REINFORCED NYLON      |
| BASE MATERIAL U.L. RATING:  | 94 HB                       |
| DIELECTRIC STRENGTH:        | 630 VOLTS/MIL PER ASTM D149 |
| VOLTAGE RATING:             | 48 VDC MAX.                 |
| CURRENT RATING:             | 250 AMPS @ 12 VDC           |
| TEMP. RISE AT LOAD:         | 52 DEG. F.                  |
| MAXIMUM RECOMMENDED TORQUE: | 10 FT./LBS. (120 IN./LBS.)  |

|                                                                                       |           |                                                                                                                                                         |                           |          |        |
|---------------------------------------------------------------------------------------|-----------|---------------------------------------------------------------------------------------------------------------------------------------------------------|---------------------------|----------|--------|
|  |           | <b>VTE Incorporated</b><br>5437 Robinson Road, P.O. Box 790<br>Pellston, Michigan 49769<br>Telephone: 1-800-527-9256, 231-539-8000<br>FAX: 231-539-0914 |                           |          |        |
|                                                                                       |           | REF:                                                                                                                                                    | DATE:                     | DRN BY:  | BRH    |
|                                                                                       | 09APR03   | CHK'D BY:                                                                                                                                               | BRH                       |          |        |
| TITLE:                                                                                |           |                                                                                                                                                         | 5/16" SMALL JUNCTION STUD |          | SCALE: |
| MATERIAL:                                                                             |           |                                                                                                                                                         |                           | PART NO. |        |
| COLOR: YELLOW                                                                         | DRG CLASS | REV H                                                                                                                                                   |                           | 77031N05 |        |