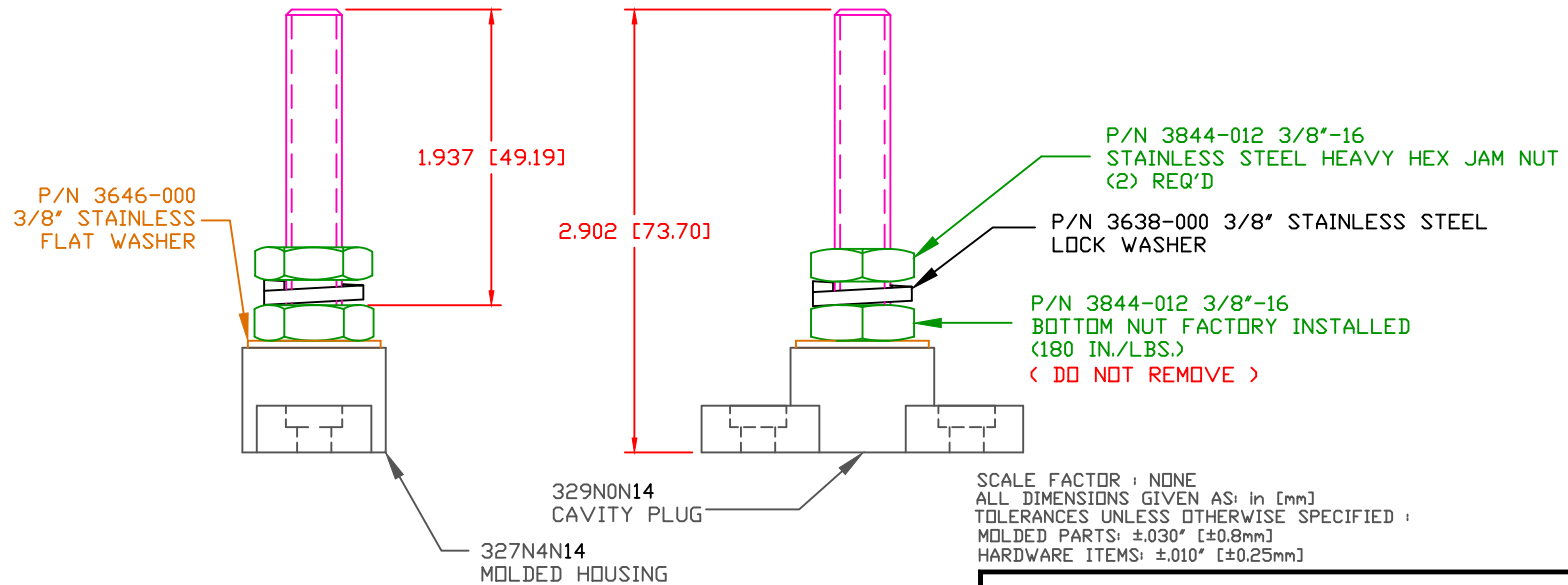
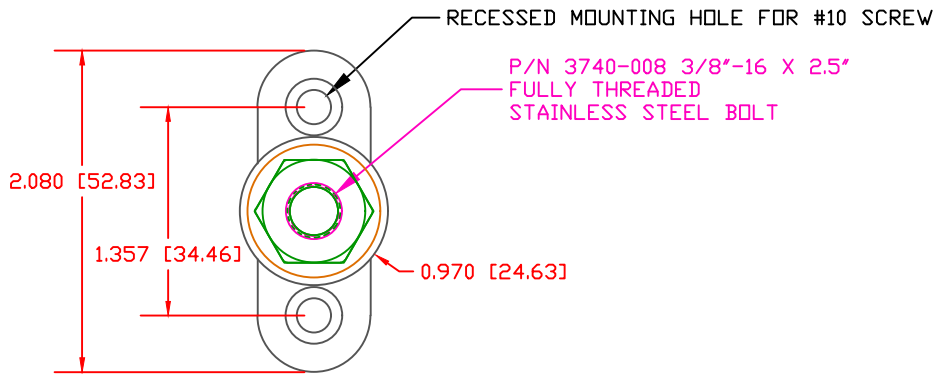


THE INFORMATION CONTAINED IN THIS DRAWING IS THE SOLE PROPERTY OF VTE INCORPORATED. ANY REPRODUCTION IN PART OR WHOLE WITHOUT THE WRITTEN PERMISSION OF VTE INCORPORATED IS PROHIBITED. VTE MAKES NO WARRANTY, EXPRESSED OR IMPLIED, AS TO THE SUITABILITY OF A PRODUCT FOR ANY INTENDED USE. THE CUSTOMER SHALL BEAR THE SOLE RESPONSIBILITY OF DETERMINING THE SUITABILITY OF ANY VTE PRODUCT FOR ITS END USE.


LTR.	REVISIONS	DATE	INT.



MATERIAL PART NO: 111210514UL
 MATERIAL: GLASS FILLED NYLON
 VENDOR PART NO: NYLON N2015 HL BK
 SPECIFIC GRAVITY: 1.23
 MELTING TEMP: 515 F [268 C]
 U.L. RATING: UL 94 HB

OVERALL ASSEMBLY TEMPERATURE NOT TO EXCEED 140 DEGREES F (60 DEGREES C)

RECOMMENDED MAXIMUM TORQUE: 12 FT./LBS. (144 IN./LBS.)



VTE Incorporated
 5437 Robinson Road, P.O. Box 790
 Pellston, Michigan 49769
 Telephone: 1-800-527-9256, 231-539-8000
 FAX: 231-539-0914

REF:	DATE: 2-23-22	DRN BY: RAS	WEIGHT:
		CHK'D BY: PJK	
TITLE: 3/8" SMALL JUNCTION POST WITH 2.5" BOLT			SCALE: NONE
MATERIAL:		PART NO.	
COLOR: BLACK	DRG CLASS	77037X4N14	