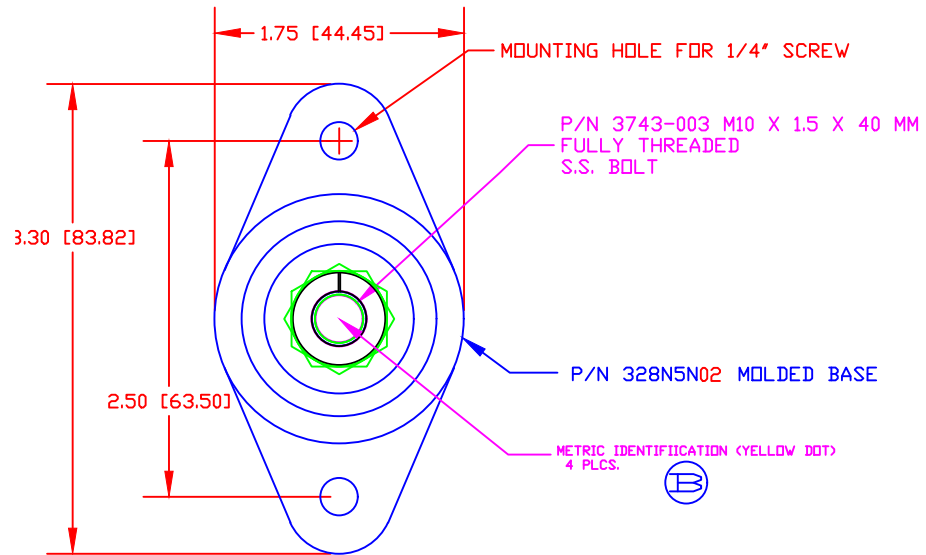
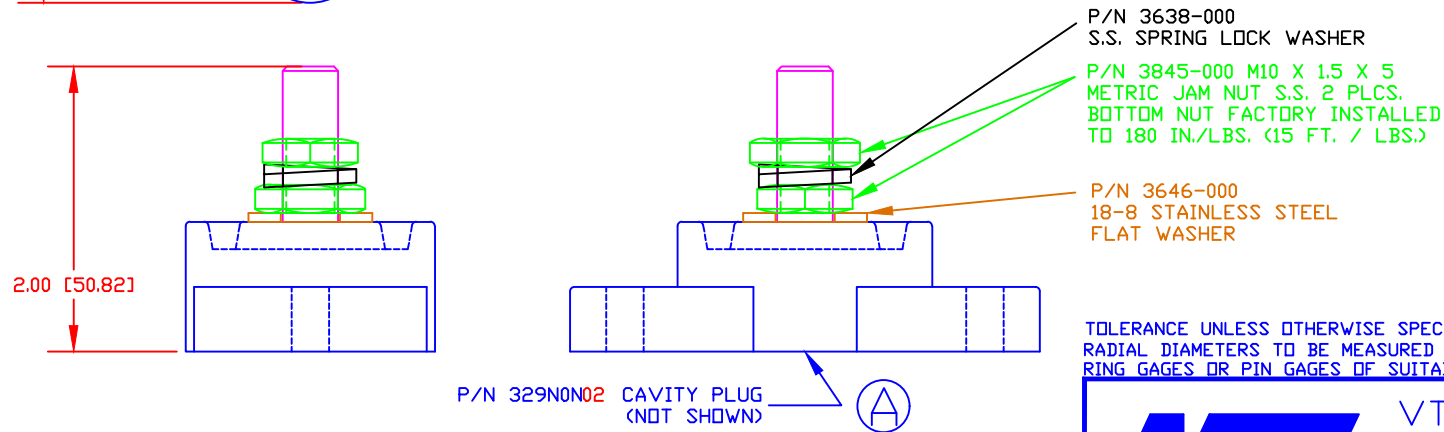


THE INFORMATION CONTAINED IN THIS DRAWING IS THE SOLE PROPERTY OF VTE INCORPORATED. ANY REPRODUCTION IN PART OR WHOLE WITHOUT THE WRITTEN PERMISSION OF VTE INCORPORATED IS PROHIBITED.

LTR.	REVISIONS	DATE	INT
△	PN 329NDV** CHANGED TO PN 329NDN**	24JUN16	MDL
ⓑ	ADDED METRIC IDENTIFICATION METHOD	19DEC16	RAS



DO NOT SCALE



TOLERANCE UNLESS OTHERWISE SPECIFIED: $\pm 0.30^\circ / \pm 0.8\text{mm}$
 RADIAL DIAMETERS TO BE MEASURED OVER MANDRELS,
 RING GAGES OR PIN GAGES OF SUITABLE SIZE

BASE MATERIAL: GLASS-REINFORCED NYLON
 BASE MATERIAL U.L. RATING: 94 HB
 DIELECTRIC STRENGTH: 630 VOLTS/MIL PER ASTM D149
 CURRENT RATING: 160 AMPS CONTINUOUS, 12VDC
 350 AMPS AT 5 MINUTES MAX., 12 VDC.
 TEMP. RISE AT LOAD: 52 DEG. F.
 BREAKOUT TORQUE: 22 FT./LBS. (264 IN./LBS.)
 RECOMMENDED MAXIMUM TORQUE: 12 FT./LBS. (144 IN./LBS.)

VTE Incorporated
 5437 Robinson Road, P.O. Box 790
 Pellston, Michigan 49769
 Telephone: 1-800-527-9256, 231-539-8000
 FAX: 231-539-0914

REF:	DATE: 09JUL08	DRN BY: BRH CHK'D BY: BRH	WEIGHT: .21 Lb. / 95.2 G.
TITLE: POWER DISTRIBUTION POST, M10			SCALE:
MATERIAL:		PART NO. 7710MN02	
COLOR: RED	DRG CLASS		