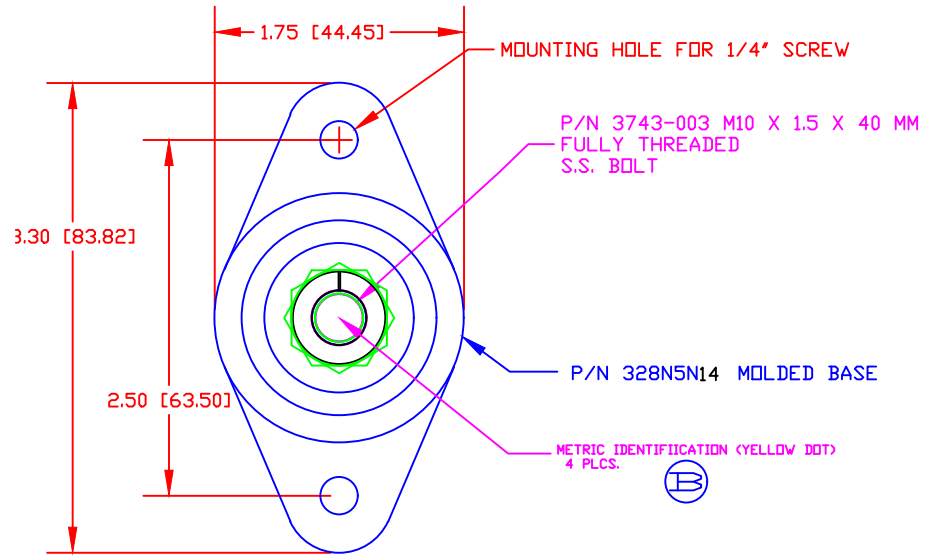
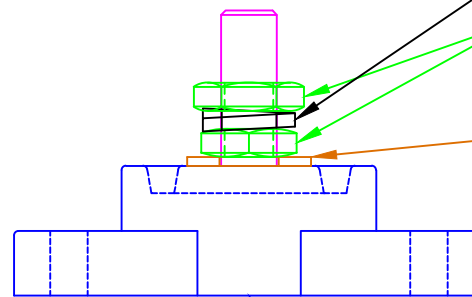
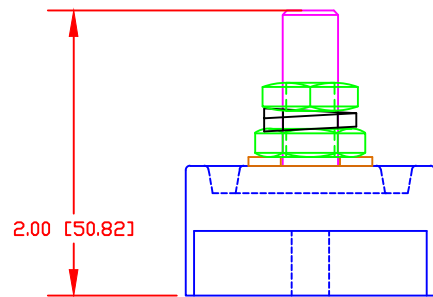


THE INFORMATION CONTAINED IN THIS DRAWING IS THE SOLE PROPERTY OF VTE INCORPORATED. ANY REPRODUCTION IN PART OR WHOLE WITHOUT THE WRITTEN PERMISSION OF VTE INCORPORATED IS PROHIBITED.

LTR.	REVISIONS	DATE	INT
A	PN 329NDV** CHANGED TO PN 329NDN**	24JUN16	MDL
B	ADDED METRIC IDENTIFICATION METHOD	19DEC16	RAS



DO NOT SCALE



P/N 3638-000  
S.S. SPRING LOCK WASHER

P/N 3845-000 M10 X 1.5 X 5  
METRIC JAM NUT S.S. 2 PLCS.  
BOTTOM NUT FACTORY INSTALLED  
TO 180 IN./LBS. (15 FT. / LBS.)

P/N 3646-000  
18-8 STAINLESS STEEL  
FLAT WASHER

P/N 329NDN14 CAVITY PLUG  
(NOT SHOWN)

TOLERANCE UNLESS OTHERWISE SPECIFIED:  $\pm 0.30^\circ / \pm 0.8\text{mm}$   
RADIAL DIAMETERS TO BE MEASURED OVER MANDRELS,  
RING GAGES OR PIN GAGES OF SUITABLE SIZE

BASE MATERIAL:  
BASE MATERIAL U.L. RATING:  
DIELECTRIC STRENGTH:  
CURRENT RATING:

GLASS-REINFORCED NYLON  
94 HB  
630 VOLTS/MIL PER ASTM D149  
160 AMPS CONTINUOUS, 12VDC  
350 AMPS AT 5 MINUTES MAX., 12 VDC.  
52 DEG. F.  
22 FT./LBS. (264 IN./LBS.)  
RECOMMENDED MAXIMUM TORQUE: 12 FT./LBS. (144 IN./LBS.)

**VTE Incorporated**  
5437 Robinson Road, P.O. Box 790  
Pellston, Michigan 49769  
Telephone: 1-800-527-9256, 231-539-8000  
FAX: 231-539-0914

REF:	DATE: 09JUL08	DRN BY: BRH CHK'D BY: BRH	WEIGHT: .21 Lb. / 95.2 G.
TITLE: POWER DISTRIBUTION POST, M10			SCALE:
MATERIAL:		PART NO. 7710M N14	
COLOR:	DRG CLASS		