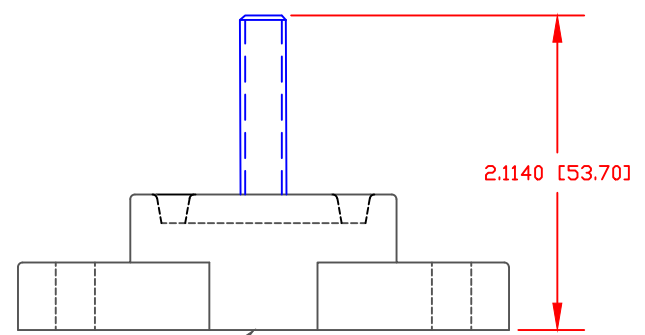
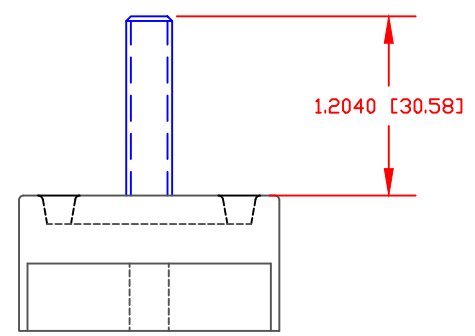
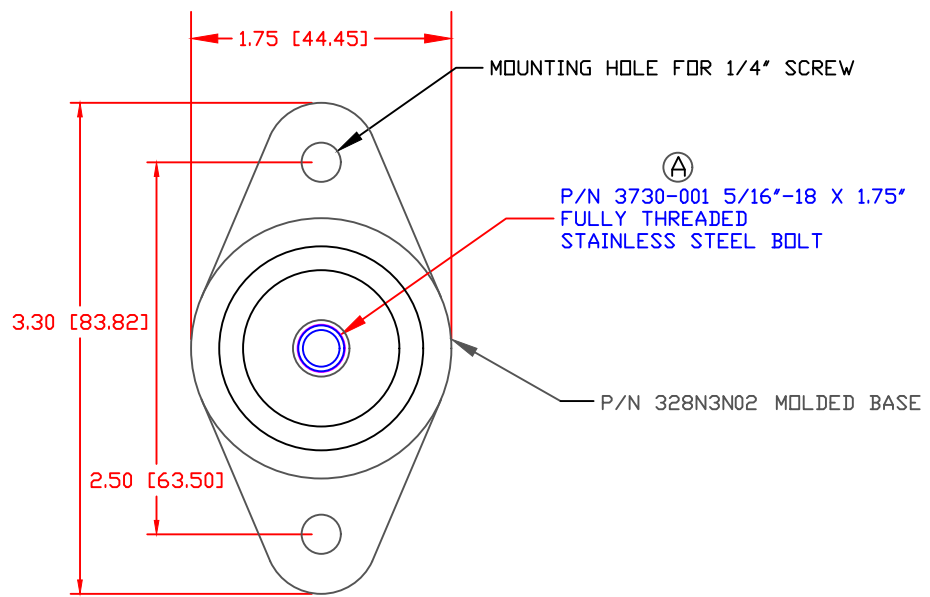


THE INFORMATION CONTAINED IN THIS DRAWING IS THE SOLE PROPERTY OF VTE INCORPORATED. ANY REPRODUCTION IN PART OR WHOLE WITHOUT THE WRITTEN PERMISSION OF VTE INCORPORATED IS PROHIBITED. VTE MAKES NO WARRANTY, EXPRESSED OR IMPLIED, AS TO THE SUITABILITY OF A PRODUCT FOR ANY INTENDED USE. THE CUSTOMER SHALL BEAR THE SOLE RESPONSIBILITY OF DETERMINING THE SUITABILITY OF ANY VTE PRODUCT FOR ITS END USE.

LTR.	REVISIONS	DATE	INT.
A	Changed Part Number from 3730-007	02-24-20	EJE




P/N 329N0N02 CAVITY PLUG  
(NOT SHOWN)

SCALE FACTOR : NONE  
ALL DIMENSIONS GIVEN AS: in [mm]  
TOLERANCES UNLESS OTHERWISE SPECIFIED :  
MOLDED PARTS: ±.030" [±0.8mm]  
HARDWARE ITEMS: ±.010" [±0.25mm]

MATERIAL PART NO: 7111210502  
MATERIAL: GLASS FILLED NYLON  
VENDOR PART NO: NYLON N2015 HL NAT  
SPECIFIC GRAVITY: 1.23  
MELTING TEMP: 515 F [268 C]  
U.L. RATING: UL 94 HB

OVERALL ASSEMBLY TEMPERATURE NOT TO EXCEED 140 DEGREES F  
( 60 DEGREES C )



VTE Incorporated  
5437 Robinson Road, P.O. Box 790  
Pellston, Michigan 49769  
Telephone: 1-800-527-9256, 231-539-8000  
FAX: 231-539-0914

REF:	DATE:	DRN BY:	EJE	WEIGHT:
CUSTOMER DIMS	02-06-2020	CHK'D BY:		
TITLE: 5/16" POWER DISTRIBUTION STUD				
MATERIAL: GLASS FILLED NYLON			PART NO.	
COLOR: RED			77131X1N02	
DRG CLASS		REV A		