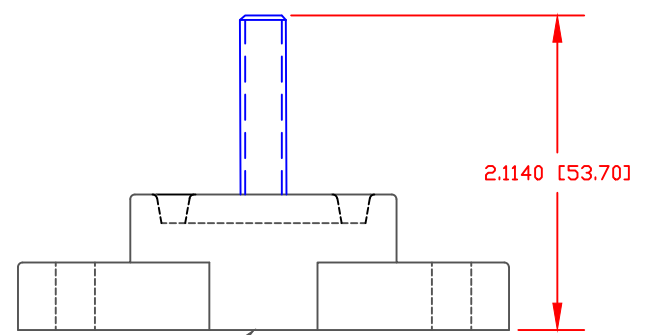
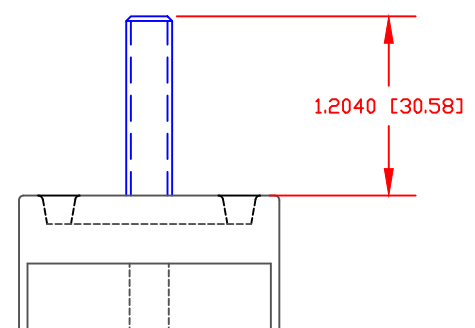
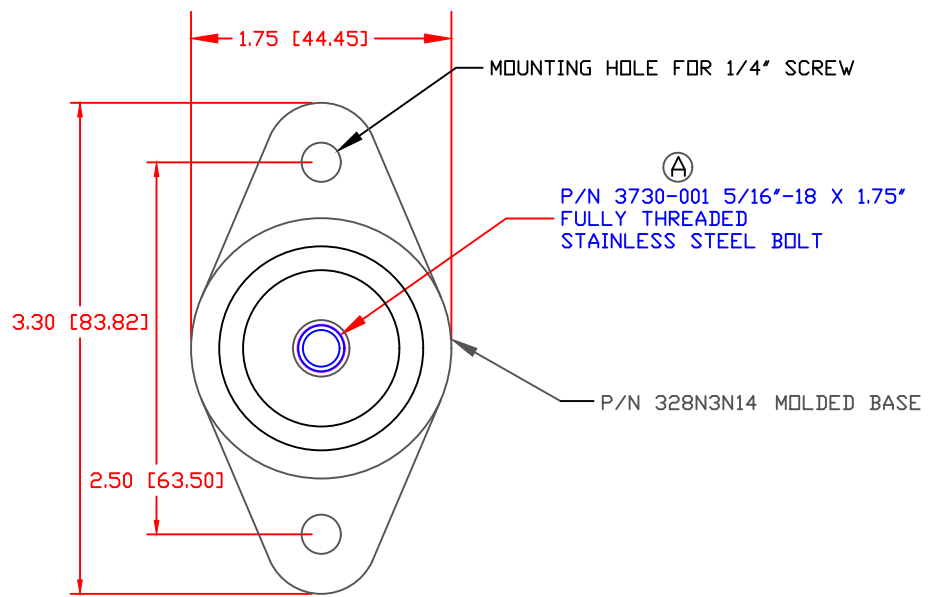


THE INFORMATION CONTAINED IN THIS DRAWING IS THE SOLE PROPERTY OF VTE INCORPORATED. ANY REPRODUCTION IN PART OR WHOLE WITHOUT THE WRITTEN PERMISSION OF VTE INCORPORATED IS PROHIBITED. VTE MAKES NO WARRANTY, EXPRESSED OR IMPLIED, AS TO THE SUITABILITY OF A PRODUCT FOR ANY INTENDED USE. THE CUSTOMER SHALL BEAR THE SOLE RESPONSIBILITY OF DETERMINING THE SUITABILITY OF ANY VTE PRODUCT FOR ITS END USE.

LTR.	REVISIONS	DATE	INT.
A	Changed Part Number from 3730-007	02-24-20	EJE



P/N 329N0N14 CAVITY PLUG
(NOT SHOWN)

SCALE FACTOR : NONE
ALL DIMENSIONS GIVEN AS: in [mm]
TOLERANCES UNLESS OTHERWISE SPECIFIED :
MOLDED PARTS: ±.030" [±0.8mm]
HARDWARE ITEMS: ±.010" [±0.25mm]

MATERIAL PART NO: 1111210514UL
MATERIAL: GLASS FILLED NYLON
VENDOR PART NO: HYLON N2015 HL BK
SPECIFIC GRAVITY: 1.23
MELTING TEMP: 515 F [268 C]
U.L. RATING: UL 94 HB

OVERALL ASSEMBLY TEMPERATURE NOT TO EXCEED 140 DEGREES F
(60 DEGREES C)



VTE Incorporated
5437 Robinson Road, P.O. Box 790
Pellston, Michigan 49769
Telephone: 1-800-527-9256, 231-539-8000
FAX: 231-539-0914

REF: CUSTOMER DIMS	DATE: 02-06-2020	DRN BY: EJE	WEIGHT:
TITLE: 5/16" POWER DISTRIBUTION STUD		CHK'D BY:	
MATERIAL: GLASS FILLED NYLON	PART NO. 77131X1N14		
COLOR: BLACK	DRG CLASS: REV A		