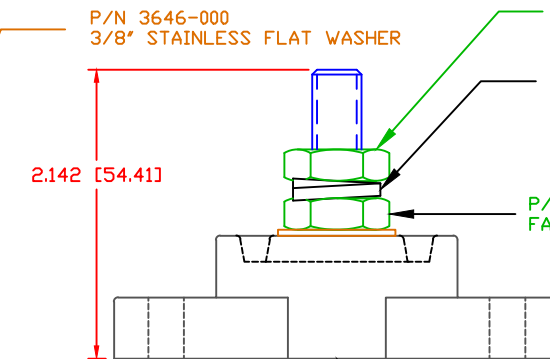
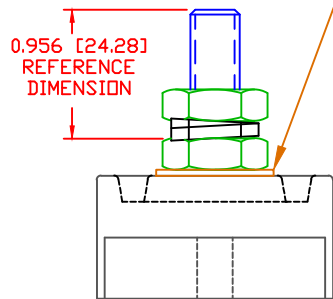
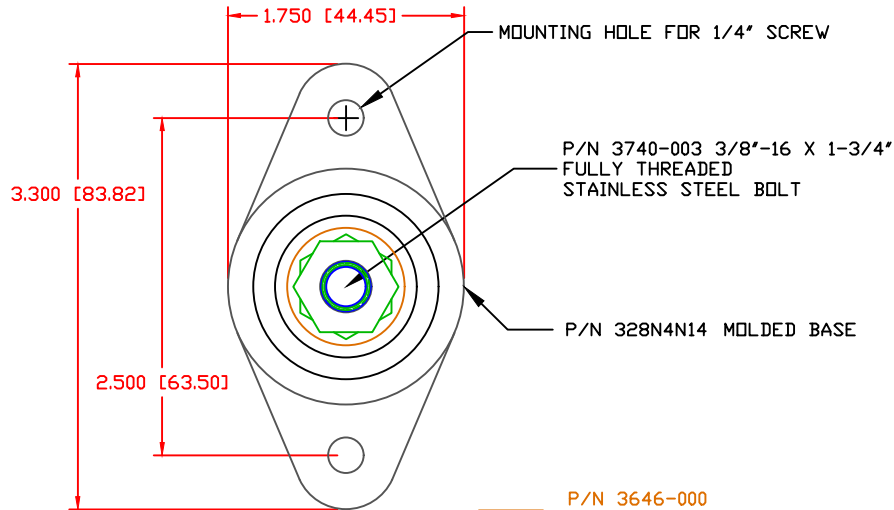


THE INFORMATION CONTAINED IN THIS DRAWING IS THE SOLE PROPERTY OF VTE INCORPORATED. ANY REPRODUCTION IN PART OR WHOLE WITHOUT THE WRITTEN PERMISSION OF VTE INCORPORATED IS PROHIBITED. VTE MAKES NO WARRANTY, EXPRESSED OR IMPLIED, AS TO THE SUITABILITY OF A PRODUCT FOR ANY INTENDED USE. THE CUSTOMER SHALL BEAR THE SOLE RESPONSIBILITY OF DETERMINING THE SUITABILITY OF ANY VTE PRODUCT FOR ITS END USE.

| LTR. | REVISIONS  | DATE     | INT. |
|------|--|----------|------|
| A    | 3844-002 WAS 3844                                  | 18MAY05  | BRH  |
| B    | ADDED OPTIONAL CONSTRUCTION NOTE AND -000 SUFFIXES | 04APR06  | BRH  |
| C    | UPDATED ELECTRICAL PERFORMANCE NOTES               | 12MAR07  | BRH  |
| D    | REMOVED OPTIONAL CONSTRUCTION NOTE                 | 08OCT15  | RAS  |
| E    | REPLACED P/N 3844-003 WITH P/N 3844-009            | 14APR16  | RAS  |
| F    | PN 329NOV** CHANGED TO 329NON**                    | 27JUN16  | MDL  |
| G    | 3844-012 WAS 3844-003                              | 11-01-16 | JMM  |
| H    | REPLACED CURRENT LIMITS WITH TEMPERATURE LIMIT     | 10-12-18 | RAS  |



- (D) (E) (G)
- P/N 3844-012 3/8"-16 STAINLESS STEEL HEAVY HEX JAM NUT (2) REQ'D
- P/N 3638-000 STAINLESS STEEL SPRING WASHER
- P/N 3844-012 3/8"-16 NUT FACTORY ASSEMBLED TO 15 FT./LBS (180 IN./LBS) ( DO NOT REMOVE )


P/N 329NON14 CAVITY PLUG (NOT SHOWN)  
(F)

SCALE FACTOR : NONE  
ALL DIMENSIONS GIVEN AS: in [mm]  
TOLERANCES UNLESS OTHERWISE SPECIFIED :  
MOLDED PARTS: ±.030" [±0.8mm]  
HARDWARE ITEMS: ±.010" [±0.25mm]

MATERIAL PART NO: 1111210514UL  
MATERIAL: GLASS FILLED NYLON  
VENDOR PART NO: NYLON N2015 HL BK  
SPECIFIC GRAVITY: 1.23  
MELTING TEMP: 515 F [268 C]  
U.L. RATING: UL 94 HB

(H) OVERALL ASSEMBLY TEMPERATURE NOT TO EXCEED 140 DEGREES F ( 60 DEGREES C )

RECOMMENDED MAXIMUM TORQUE: 12 FT./LBS. (144 IN./LBS.)



VTE Incorporated  
5437 Robinson Road, P.O. Box 790  
Pellston, Michigan 49769  
Telephone: 1-800-527-9256, 231-539-8000  
FAX: 231-539-0914

|                                     |         |           |          |                    |
|-------------------------------------|---------|-----------|----------|--------------------|
| REF:                                | DATE:   | DRN BY:   | BRH      | WEIGHT:            |
| CUSTOMER DIMS                       | 4-09-03 | CHK'D BY: | BRH      | .21 LBS. / 95.2 G. |
| TITLE: 3/8" POWER DISTRIBUTION STUD |         |           |          |                    |
| MATERIAL: GLASS FILLED NYLON        |         |           | PART NO. |                    |
| COLOR: BLACK                        |         |           | 77137N14 |                    |
| DRG CLASS: REV H                    |         |           |          |                    |