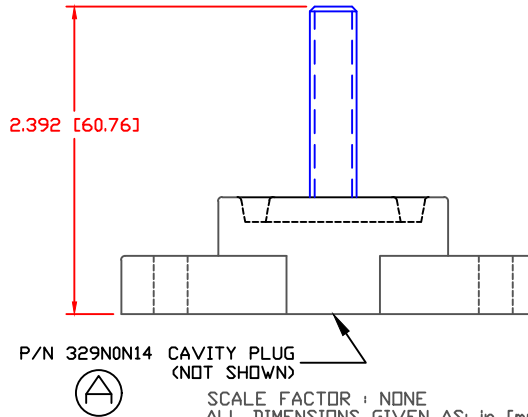
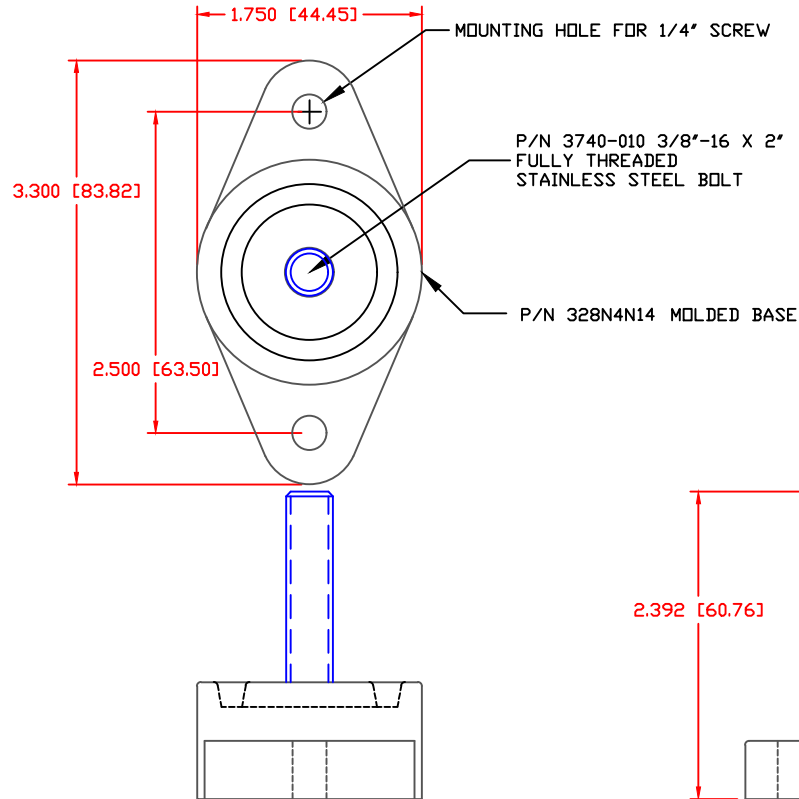


THE INFORMATION CONTAINED IN THIS DRAWING IS THE SOLE PROPERTY OF VTE INCORPORATED. ANY REPRODUCTION IN PART OR WHOLE WITHOUT THE WRITTEN PERMISSION OF VTE INCORPORATED IS PROHIBITED. VTE MAKES NO WARRANTY, EXPRESSED OR IMPLIED, AS TO THE SUITABILITY OF A PRODUCT FOR ANY INTENDED USE. THE CUSTOMER SHALL BEAR THE SOLE RESPONSIBILITY OF DETERMINING THE SUITABILITY OF ANY VTE PRODUCT FOR ITS END USE.

LTR.	REVISIONS	DATE	INT.
A	PN 329NDV** CHANGED TO PN 329NDN**	6-27-16	MDL
B	REPLACED CURRENT LIMITS WITH TEMPERATURE LIMIT	10-12-18	RAS




SCALE FACTOR : NONE  
 ALL DIMENSIONS GIVEN AS: in [mm]  
 TOLERANCES UNLESS OTHERWISE SPECIFIED :  
 MOLDED PARTS: ±.030" [±0.8mm]  
 HARDWARE ITEMS: ±.010" [±0.25mm]

MATERIAL PART NO: 111210514UL  
 MATERIAL: GLASS FILLED NYLON  
 VENDOR PART NO: NYLON N2015 HL BK  
 SPECIFIC GRAVITY: 1.23  
 MELTING TEMP: 515 F [268 C]  
 U.L. RATING: UL 94 HB

(B) OVERALL ASSEMBLY TEMPERATURE NOT TO EXCEED 140 DEGREES F  
 ( 60 DEGREES C )

RECOMMENDED MAXIMUM TORQUE: 12 FT./LBS. (144 IN./LBS.)

		<b>VTE Incorporated</b> 5437 Robinson Road, P.O. Box 790 Pellston, Michigan 49769 Telephone: 1-800-527-9256, 231-539-8000 FAX: 231-539-0914	
		REF: CUSTOMER DIMS	DATE: 12-05-14
TITLE: 3/8" POWER DISTRIBUTION STUD SPECIAL FOR		CHK'D BY: TJH	
MATERIAL: GLASS FILLED NYLON	PART NO. 77137X1N14		
COLOR: BLACK	DRG CLASS	REV B	