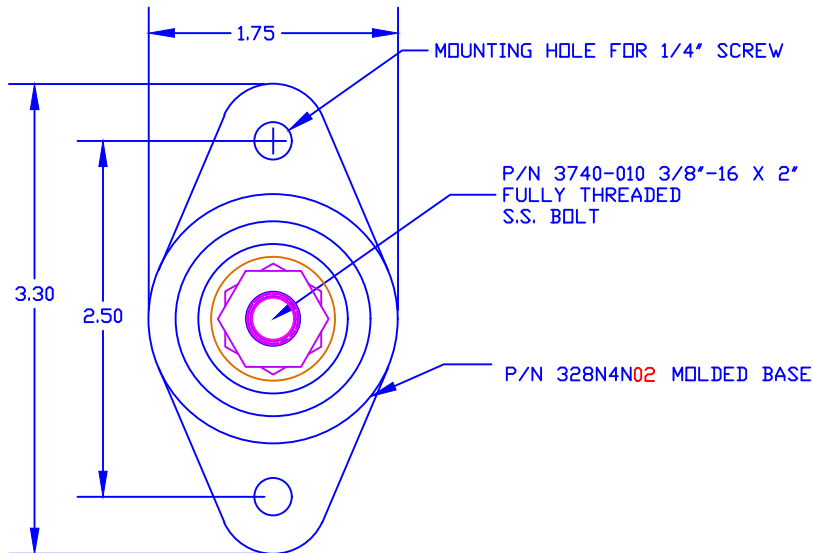
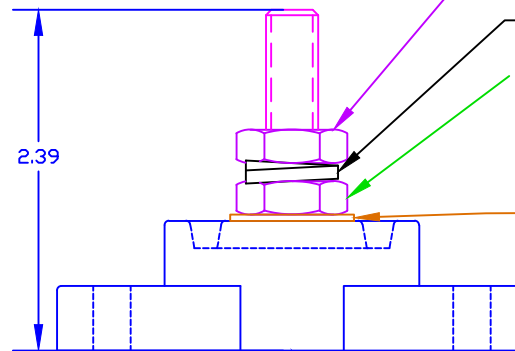
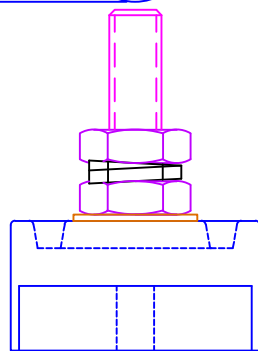


THE INFORMATION CONTAINED IN THIS DRAWING IS THE SOLE PROPERTY OF VTE INCORPORATED. ANY REPRODUCTION IN PART OR WHOLE WITHOUT THE WRITTEN PERMISSION OF VTE INCORPORATED IS PROHIBITED.

LTR.	REVISIONS	DATE	INT.
A	REMOVED OPTIONAL CONSTRUCTION NOTE	21OCT15	RAS
B	REPLACED P/N 3844-003 WITH P/N 3844-009	14APR16	RAS
C	PN 329NDV** CHANGED TO PN 329NDN**	27JUN16	MDL
D	3844-012 WAS 3844-009	11-01-16	JMM
E	ADDED "DO NOT REMOVE"	6-02-17	JMM



DO NOT SCALE



P/N 3844-012 3/8"-16 STAINLESS STEEL HEAVY HEX JAM NUT (2 PLCS) FACTORY ASSEMBLED TO 15 FT./LBS (180 IN./LBS) (A) (B) (D)


P/N 3638-000 STAINLESS STEEL SPRING WASHER  
P/N 3844-012 3/8"-16 STAINLESS STEEL HEAVY HEX JAM NUT (2 PLCS) FACTORY ASSEMBLED TO 15 FT./LBS (180 IN./LBS) (DO NOT REMOVE) (E)

P/N 3646-000 3/8" STAINLESS FLAT WASHER

P/N 329NDN02 CAVITY PLUG (NOT SHOWN) (C)

TOLERANCE UNLESS OTHERWISE SPECIFIED: ±0.30"/±0.8mm  
RADIAL DIAMETERS TO BE MEASURED OVER MANDRELS, RING GAGES OR PIN GAGES OF SUITABLE SIZE

BASE MATERIAL: GLASS-REINFORCED NYLON  
 BASE MATERIAL U.L. RATING: 94 HB  
 DIELECTRIC STRENGTH: 630 VOLTS/MIL PER ASTM D149  
 CURRENT RATING: 160 AMPS CONTINUOUS, 12VDC  
 350 AMPS AT 5 MINUTES MAX., 12 VDC.  
 TEMP. RISE AT LOAD: 52 DEG. F.  
 BREAKOUT TORQUE: 22 FT./LBS. (264 IN./LBS.)  
 RECOMMENDED MAXIMUM TORQUE: 12 FT./LBS. (144 IN./LBS.)

		<b>VTE Incorporated</b> 5437 Robinson Road, P.O. Box 790 Pellston, Michigan 49769 Telephone: 1-800-527-9256, 231-539-8000 FAX: 231-539-0914	
		REF: ***	DATE: 08NOV07
TITLE: 3/8" POWER DISTRIBUTION STUD			SCALE: NONE
MATERIAL:		PART NO.	
COLOR:	DRG CLASS REV E	77137X N02	