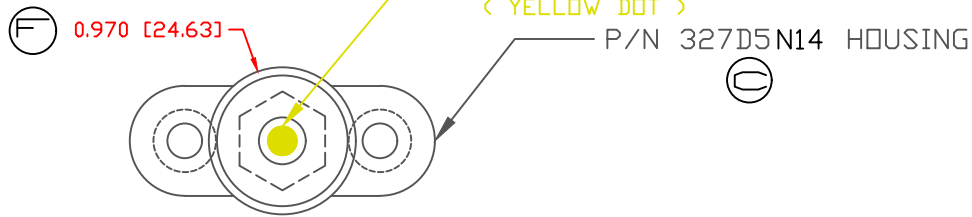
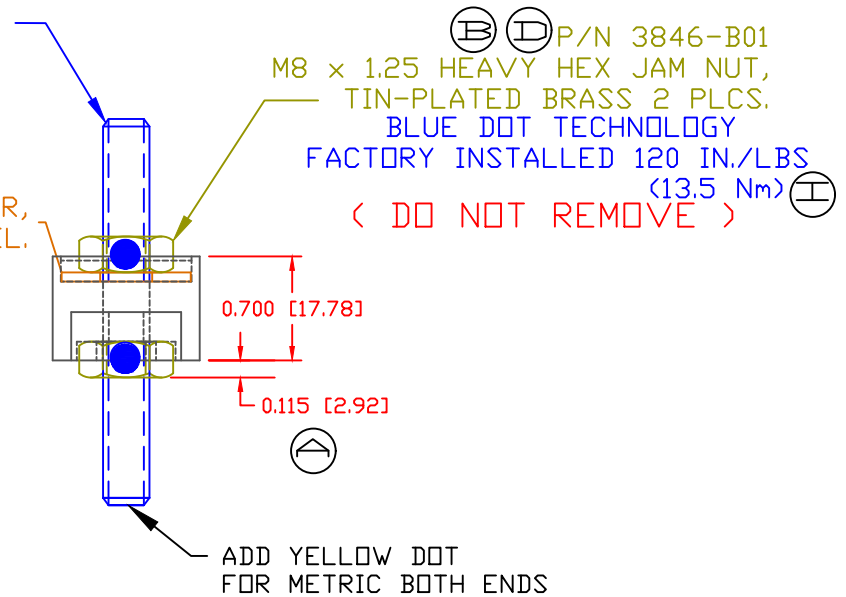
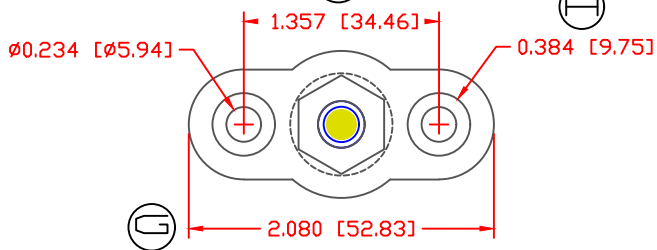
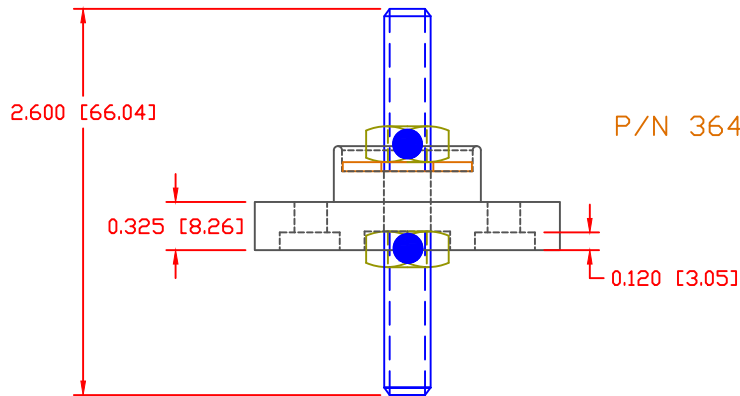


THE INFORMATION CONTAINED IN THIS DRAWING IS THE SOLE PROPERTY OF VTE INCORPORATED. ANY REPRODUCTION IN PART OR WHOLE WITHOUT THE WRITTEN PERMISSION OF VTE INCORPORATED IS PROHIBITED. VTE MAKES NO WARRANTY, EXPRESSED OR IMPLIED, AS TO THE SUITABILITY OF A PRODUCT FOR ANY INTENDED USE. THE CUSTOMER SHALL BEAR THE SOLE RESPONSIBILITY OF DETERMINING THE SUITABILITY OF ANY VTE PRODUCT FOR ITS END USE.

LTR.	REVISIONS	DATE	INT.
A	REVISED FROM 0.09 [2.29]	3-14-17	RAS
B	UPDATED 3846-001 INFORMATION	3-14-17	RAS
C	UPDATED PART NUMBER FROM 327D3N14	04-27-17	RAS
D	UPDATED PART NUMBER FROM 3846-001	06-01-17	RAS
E	UPDATED DIMENSION FROM 1.314	7-27-17	RAS
F	UPDATED DIMENSION FROM .990	7-27-17	RAS
G	UPDATED DIMENSION FROM 2.054	7-27-17	RAS
H	UPDATED DIMENSION FROM .421	7-27-17	RAS
I	TORQUE VALUES CHANGED	7-06-20	EJE



P/N 3744-003 M8 x 1.25 STUD, DOUBLE ENDED BRASS NICKEL PLATED



SCALE FACTOR : NONE
 ALL DIMENSIONS GIVEN AS: in [mm]
 TOLERANCES UNLESS OTHERWISE SPECIFIED :
 MOLDED PARTS: ±.030" [±0.8mm]
 HARDWARE ITEMS: ±.010" [±0.25mm]

INCLUDES P-16808110001 BLUE DOT MULTI LABEL, 1 PER CONTAINER

MATERIAL PART NO: 111210514UL
 MATERIAL: GLASS FILLED NYLON
 VENDOR PART NO: HYLON N2015 HL BK
 SPECIFIC GRAVITY: 1.23
 MELTING TEMP: 515 F [268 C]
 U.L. RATING: UL 94 HB
 FOR TERMINAL FASTENERS : 102 IN./LBS. (11.5 Nm) $\text{\textcircled{I}}$
 < NOT INCLUDED >

DO NOT SCALE



VTE Incorporated
 5437 Robinson Road, P.O. Box 790
 Pellston, Michigan 49769
 Telephone: 1-800-527-9256, 231-539-8000
 FAX: 231-539-0914

REF: CUSTOMER	DATE: 09MAR17	DRN BY: RAS	WEIGHT:
		CHK'D BY: RAS	
TITLE: M8 PASSTHROUGH STUD SPECIAL FOR CRYSTAL RUGGED			
MATERIAL: GLASS FILLED NYLON		PART NO. 77208XN14	
COLOR: BLACK	DRG CLASS REV I		