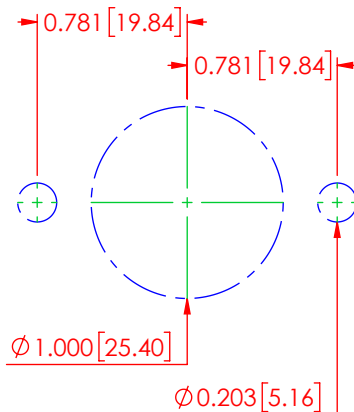
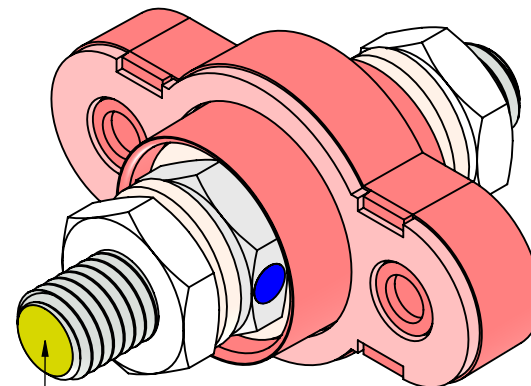


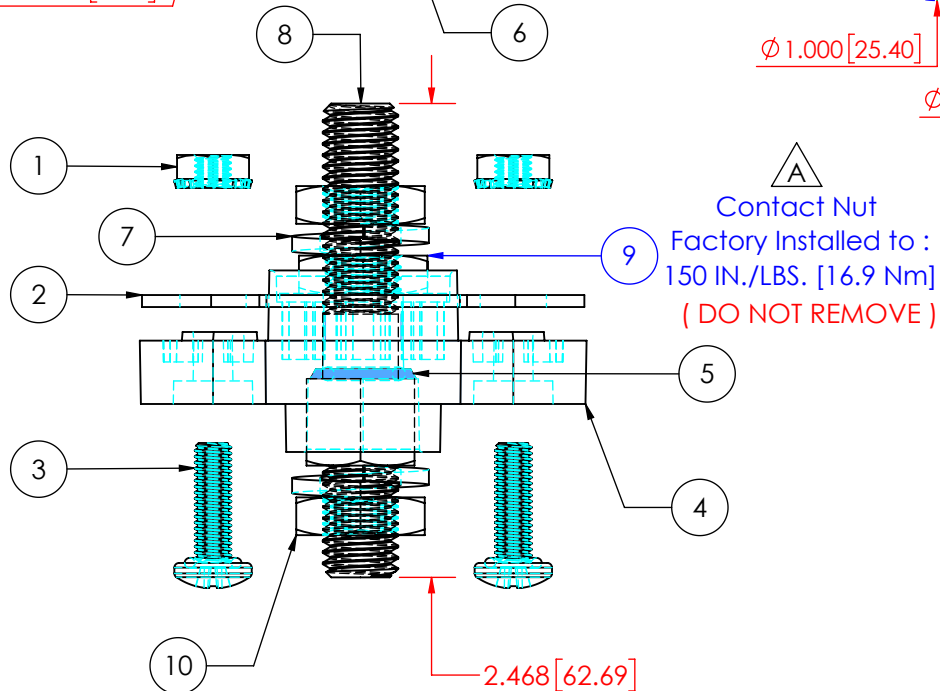
PANEL CUT-OUT



| REVISIONS |                                |         |          |
|-----------|--------------------------------|---------|----------|
| REV.      | DESCRIPTION                    | DATE    | APPROVED |
| A         | Updated Fastener Torque Values | 1-24-23 | RAS      |



Yellow Dot to Identify Metric Thread



| BULK PACKED SEPARATELY |             |  |      |
|------------------------|-------------|--|------|
| ITEM NO.               | PART NUMBER | DESCRIPTION  | QTY. |
| 1                      | 3841-003    | 10-32 18-8 Stainless Steel Lock Nut                    | 2    |
| 2                      | 3960-004    | Norseal Red Silicone Gasket                            | 1    |
| 3                      | 3737-003    | 10-32 18-8 Stainless Steel Panhead Sealing Screw .625" | 2    |

| ITEM NO. | PART NUMBER | DESCRIPTION                                      | QTY. |
|----------|-------------|--|------|
| 4        | 326D2N02    | Glass Filled Nylon Housing (Red)                 | 1    |
| 5        | 3961-001    | 3/8" / 10mm Buna-N O-Ring                        | 1    |
| 6        | 3646-000    | 3/8" 18-8 Stainless Steel Flat Washer            | 1    |
| 7        | 3638-M      | M10 18-8 Stainless Steel Lock Washer             | 2    |
| 8        | 3739-008    | M10 x 1.5 Nickel Plated Brass Double Ended Stud  | 1    |
| 9        | 3845-B04    | 10mm x 1.5 Tin Plated Brass Heavy Hex Nut        | 1    |
| 10       | 3845-000    | 10mm x 1.5 316 Stainless Steel Heavy Hex Jam Nut | 2    |

MAXIMUM VOLTAGE : 0 - 48 VDC  
 MAXIMUM AMPERAGE : 250 AMPS @ 12 VDC

MATERIAL PART NO: 7111210502  
 MATERIAL: GLASS FILLED NYLON  
 HYLON N2015 NAT

MAX 10mm FASTENER TORQUE: 127 IN./LBS. [14.3 Nm]  
 MAX 10-32 FASTENER TORQUE: 31.7 IN./LBS. [3.58 Nm]

Assembly Weight : 0.415 Lbs. [197 g]

Assembly Color : Red

ALL DIMENSIONS GIVEN AS : INCH [METRIC]  
 TOLERANCES UNLESS OTHERWISE SPECIFIED :  
 MOLDED PRODUCTS : ±.030" / ±0.8mm  
 HARDWARE PRODUCTS : ±.010" / ±0.25mm

PRINTED COPIES ARE NOT CONTROLLED

**PROPRIETARY AND CONFIDENTIAL**

THE INFORMATION CONTAINED IN THIS DRAWING IS THE SOLE PROPERTY OF VTE INCORPORATED. ANY REPRODUCTION IN PART OR AS A WHOLE WITHOUT THE WRITTEN PERMISSION OF VTE INCORPORATED PROHIBITED.



**VTE INCORPORATED**

5437 Robinson Road, P.O. Box 790  
 Pellston, Michigan 49769 USA  
 Telephone : 1-800-527-9256, 231-539-8000  
 Fax : 231-539-0914, Efax : 231-344-5914

|      |          |                      |         |                              |
|------|----------|----------------------|---------|------------------------------|
| REV  | <b>A</b> | NAME                 | DATE    | TITLE:                       |
| SIZE | <b>A</b> | DRAWN BY:            | 1-24-23 | M10 Water Proof Pass Through |
|      |          | CHECKED BY:          | 1-24-23 | DWG. NO.                     |
|      |          | DO NOT SCALE DRAWING |         | <b>77210W02</b>              |