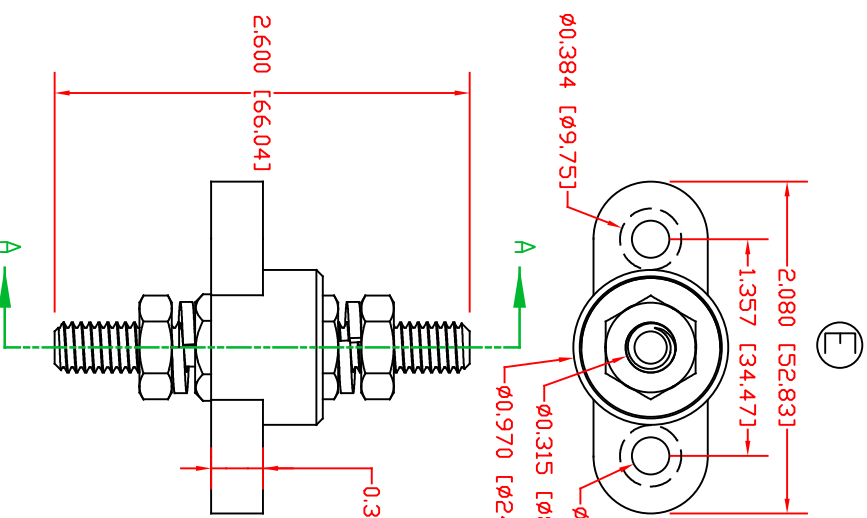
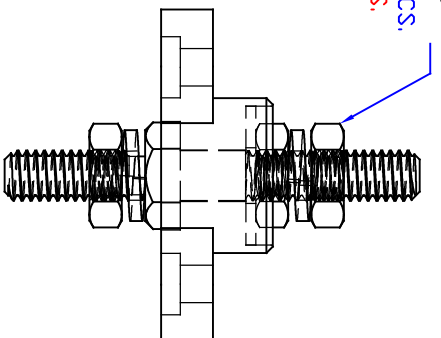
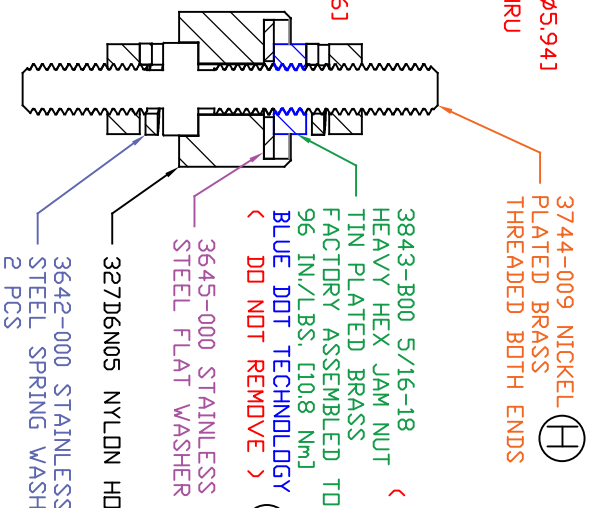


THE INFORMATION CONTAINED IN THIS DRAWING IS THE SOLE PROPERTY OF VTE INCORPORATED. ANY REPRODUCTION IN PART OR WHOLE WITHOUT THE WRITTEN PERMISSION OF VTE INCORPORATED IS PROHIBITED. VTE MAKES NO WARRANTY, EXPRESSED OR IMPLIED, AS TO THE SUITABILITY OF A PRODUCT FOR ANY INTENDED USE. THE CUSTOMER SHALL BEAR THE SOLE RESPONSIBILITY OF DETERMINING THE SUITABILITY OF ANY VTE PRODUCT FOR ITS END USE.



SECTION A-A



LR	REVISIONS	DATE	INT.
A	REDRAWN AND REDESIGNED	12-28-07	BRH
B	ADDED FACTORY TORQUE NOTE	2-14-12	BRH
C	REPLACED P/N 3843-001 WITH P/N 3843-009	1-16-17	RAS
D	3843-B00 WAS 3843-000	6-13-17	JMM
E	UPDATED AND ADDED DIMENSIONS FOR MOUNTING	7-31-17	RAS
F	ADDED ELECTRICAL VALUES	10-25-18	RAS
G	UPDATED BASE PART NUMBER FROM 32703	8-12-21	RAS
H	UPDATED CORE PART NUMBER FROM 3744-000	8-12-21	RAS
I	UPDATED TORQUE VALUE FROM 132 IN./LBS. [14.9 Nm]	8-12-21	RAS
J	UPDATED TORQUE VALUE FROM 112 IN./LBS. [12.65 Nm]	8-12-21	RAS
K	UPDATED ELECTRICAL VALUES	10-18-22	RAS

3843-009 5/16-18 HEAVY HEX JAM NUT STAINLESS STEEL, 2 PCS. (MAX TORQUE 101 IN./LBS. [11.41 Nm])

INCLUDES P-16808110001 BLUE DOT MULTI LABEL, 1 PER CONTAINER

MATERIAL PART NO:
MATERIAL:
VENDOR PART NO:
SPECIFIC GRAVITY:
MELTING TEMP:
UL RATING:

711210505
GLASS FILLED NYLON
HYLON N2015 HL NAT
1.23
515 F [268 C]
UL 94 HB

CURRENT CARRYING CAPACITY:

325 AMPS AT 12 VDC

SCALE FACTOR: NONE
ALL DIMENSIONS GIVEN AS: In [mm]
TOLERANCES UNLESS OTHERWISE SPECIFIED:
MOLDED PARTS: ±.030" [±0.8mm]
HARDWARE ITEMS: ±.010" [±0.25mm]

VTE Incorporated
5437 Robinson Road, P.O. Box 790
Pellston, Michigan 49769
Telephone: 1-800-527-9256, 231-539-8000
FAX: 231-539-0914

REF:	DATE:	DRN BY:	RAS	WEIGHT:
CUSTOMER DIMS	8-23-21	CHK'D BY:	PAK	
TITLE: PASSTHROUGH JUNCTION STUD				
MATERIAL: GLASS FILLED NYLON			PART NO: 77231N05	
COLOR: YELLOW	DRG CLASS	REV K		