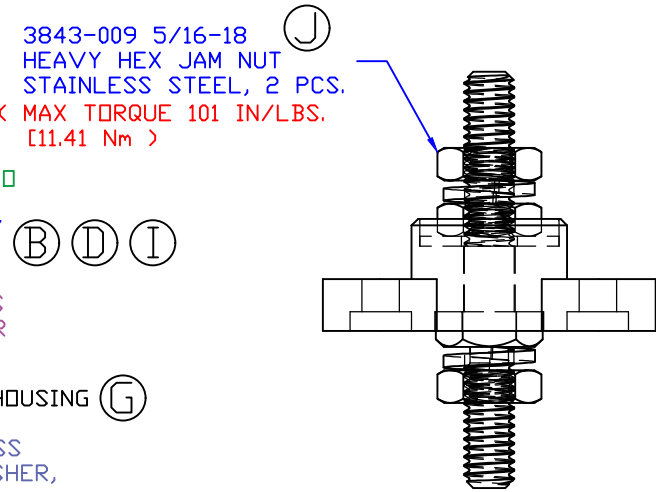
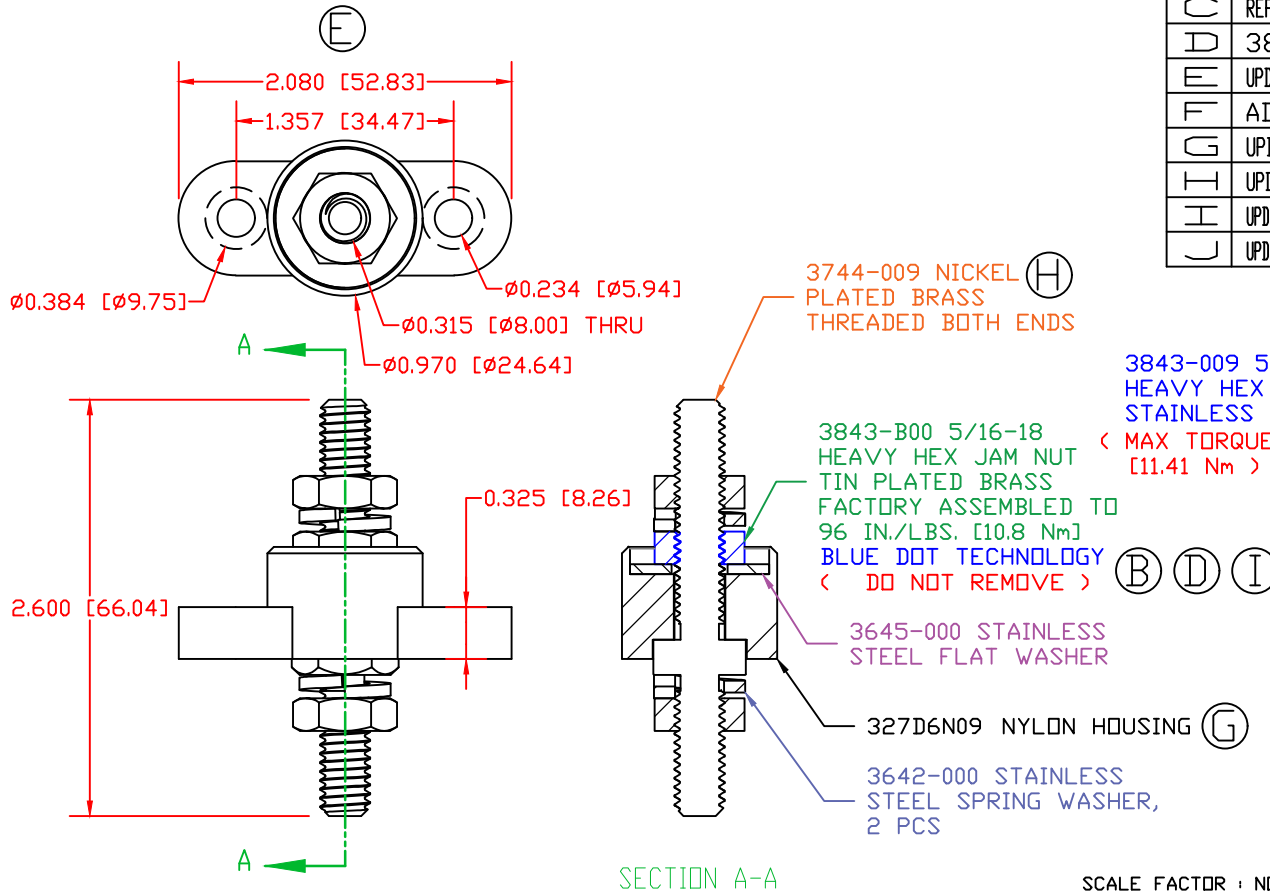


THE INFORMATION CONTAINED IN THIS DRAWING IS THE SOLE PROPERTY OF VTE INCORPORATED. ANY REPRODUCTION IN PART OR WHOLE WITHOUT THE WRITTEN PERMISSION OF VTE INCORPORATED IS PROHIBITED. VTE MAKES NO WARRANTY, EXPRESSED OR IMPLIED, AS TO THE SUITABILITY OF A PRODUCT FOR ANY INTENDED USE. THE CUSTOMER SHALL BEAR THE SOLE RESPONSIBILITY OF DETERMINING THE SUITABILITY OF ANY VTE PRODUCT FOR ITS END USE.

LTR.	REVISIONS	DATE	INT.
A	REDRAWN AND REDESIGNED	12-28-07	BRH
B	ADDED FACTORY TORQUE NOTE	2-14-12	BRH
C	REPLACED P/N 3843-001 WITH P/N 3843-009	1-16-17	RAS
D	3843-B00 WAS 3843-000	6-13-17	JMM
E	UPDATED AND ADDED DIMENSIONS FOR MOUNTING	7-31-17	RAS
F	ADDED ELECTRICAL VALUES	10-25-18	RAS
G	UPDATED BASE PART NUMBER FROM 327D3	8-12-21	RAS
H	UPDATED CORE PART NUMBER FROM 3744-000	8-12-21	RAS
I	UPDATED TORQUE VALUE FROM 132 IN./LBS. [14.91 Nm]	8-12-21	RAS
J	UPDATED TORQUE VALUE FROM 112 IN./LBS. [12.65 Nm]	8-12-21	RAS




SCALE FACTOR : NONE
 ALL DIMENSIONS GIVEN AS: in [mm]
 TOLERANCES UNLESS OTHERWISE SPECIFIED :
 MOLDED PARTS: ±.030" [±0.8mm]
 HARDWARE ITEMS: ±.010" [±0.25mm]

INCLUDES P-16808110001 BLUE DOT MULTI LABEL, 1 PER CONTAINER

MATERIAL PART NO: 7111210509
 MATERIAL: GLASS FILLED NYLON
 VENDOR PART NO: NYLON N2015 HL NAT
 SPECIFIC GRAVITY: 1.23
 MAXIMUM ACCEPTABLE MOISTURE CONTENT: .2%
 FLAME RATING: UL 94 HB

CURRENT CARRYING CAPACITY:
 DUTY CYCLE: 80%
 CURRENT CAPACITY: 3.9 Kw (325A @ 12VDC)
 TEMPORARY MAX (12 MINUTES): 5.0 Kw (422A @ 12VDC)

		VTE Incorporated 5437 Robinson Road, P.O. Box 790 Pellston, Michigan 49769 Telephone: 1-800-527-9256, 231-539-8000 FAX: 231-539-0914	
		REF: CUSTOMER DIMS	DATE: 8-23-21
TITLE: PASSTHROUGH JUNCTION STUD			
MATERIAL: GLASS FILLED NYLON		PART NO. 77231N09	
COLOR: BLUE	DRG CLASS: REV J		