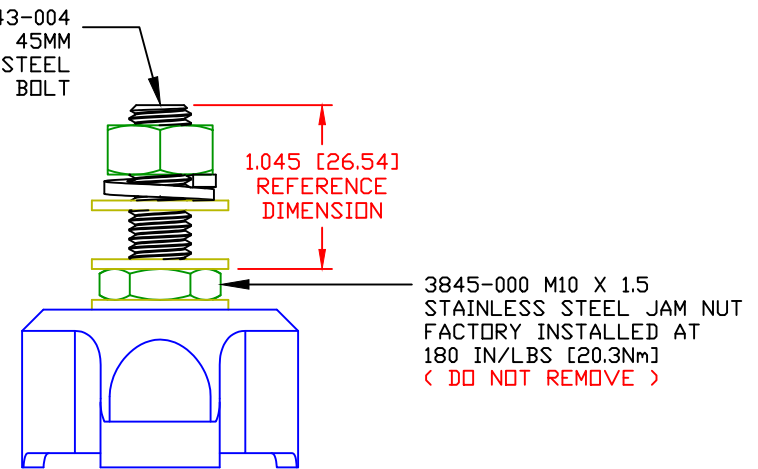
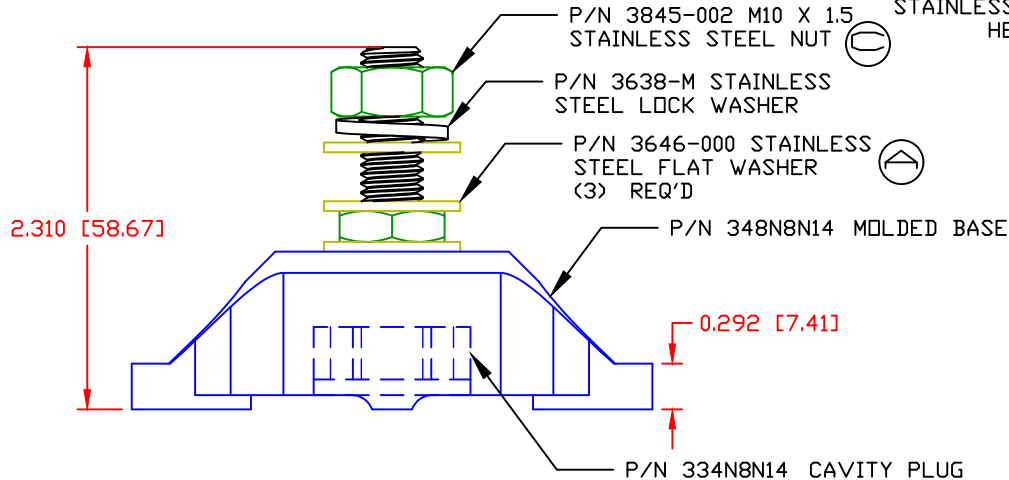
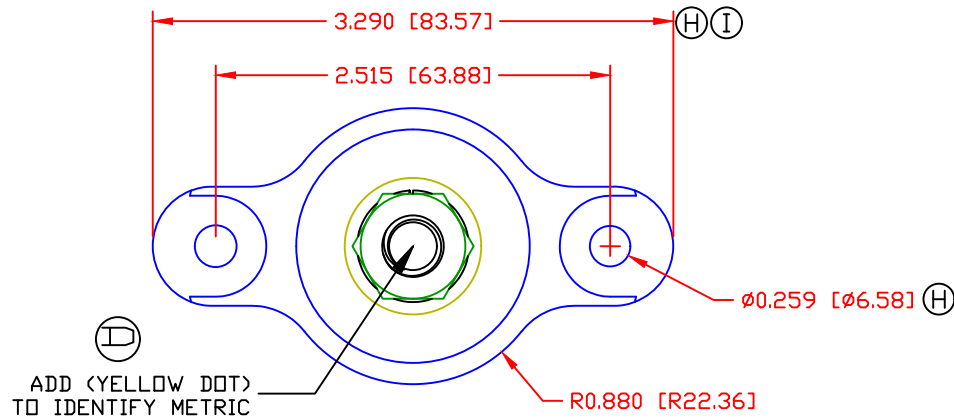


THE INFORMATION CONTAINED IN THIS DRAWING IS THE SOLE PROPERTY OF VTE INCORPORATED. ANY REPRODUCTION IN PART OR WHOLE WITHOUT THE WRITTEN PERMISSION OF VTE INCORPORATED IS PROHIBITED. VTE MAKES NO WARRANTY, EXPRESSED OR IMPLIED, AS TO THE SUITABILITY OF A PRODUCT FOR ANY INTENDED USE. THE CUSTOMER SHALL BEAR THE SOLE RESPONSIBILITY OF DETERMINING THE SUITABILITY OF ANY VTE PRODUCT FOR ITS END USE.

LTR.	REVISIONS	DATE	INT.
A	INCREASED WASHER QTY IN ASSY	12-12-15	RAS
B	CHANGED IN. LBS. TO FT. LBS.	12-23-15	RAS
C	REPLACED P/N 3845-001 WITH P/N 3845-002	3-28-16	RAS
D	ADDED METRIC IDENTIFICATION METHOD	19DEC16	RAS
E	CHANGED FT-LBS TO IN-LBS AND Nm	4-28-17	JMM
F	REDRAWN (ORIGINAL DRAWING 2-26-15)	5-01-18	RAS
G	REPLACED CURRENT LIMITS WITH TEMPERATURE LIMIT	10-12-18	RAS
H	UPDATED DIMENSION AFTER QA CHECK	01-26-21	EJE
I	UPDATED DIMENSION FROM 3.328"	04-20-21	EJE




SCALE FACTOR : NONE
 ALL DIMENSIONS GIVEN AS: in [mm]
 TOLERANCES UNLESS OTHERWISE SPECIFIED :
 MOLDED PARTS: $\pm 0.30^*$ [$\pm 0.8\text{mm}$]
 HARDWARE ITEMS: $\pm 0.10^*$ [$\pm 0.25\text{mm}$]

MATERIAL PART NO: 1111210514UL
 MATERIAL: GLASS FILLED NYLON
 VENDOR PART NO: HYLON N2015 HL BK
 SPECIFIC GRAVITY: 1.23
 MELTING TEMP: 515 F [268 C]
 U.L. RATING: UL 94 HB

RECOMMEND TORQUE : 180 IN/LBS [20.3Nm] (B) (E)
 MAXIMUM CURRENT: 250 AMPS @ 12 VDC
 MAXIMUM VOLTAGE: 48 VDC

OVERALL ASSEMBLY TEMPERATURE NOT TO EXCEED 140 DEGREES F
 (60 DEGREES C)

		VTE Incorporated 5437 Robinson Road, P.O. Box 790 Pellston, Michigan 49769 Telephone: 1-800-527-9256, 231-539-8000 FAX: 231-539-0914		
		REF:	DATE:	DRN BY: RAS
		5-01-18	CHK'D BY: RAS	
TITLE: 10MM POWER DISTRIBUTION STUD				
MATERIAL: GLASS FILLED NYLON		PART NO.		
COLOR: BLACK		77510M0N14		
DRG CLASS REV I				