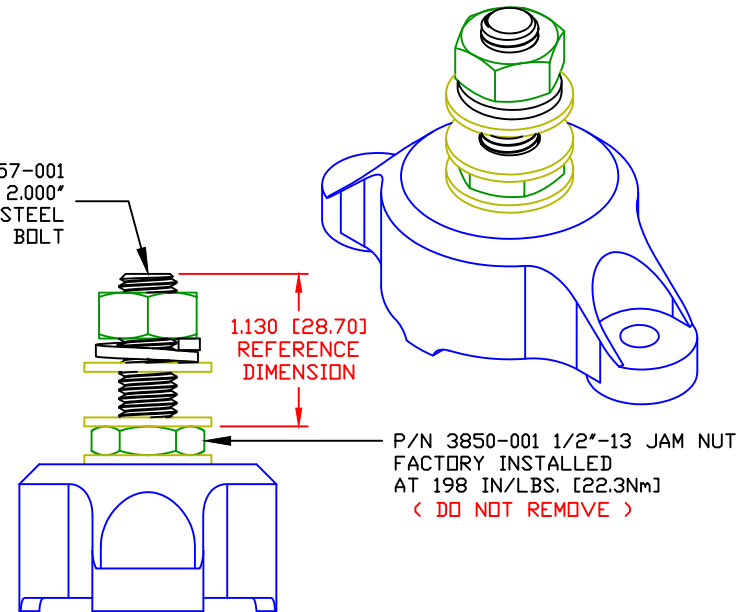
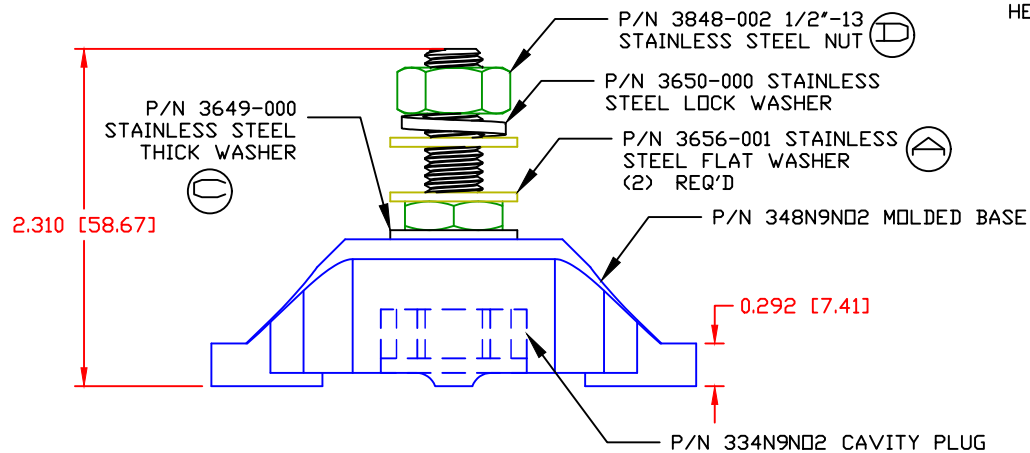
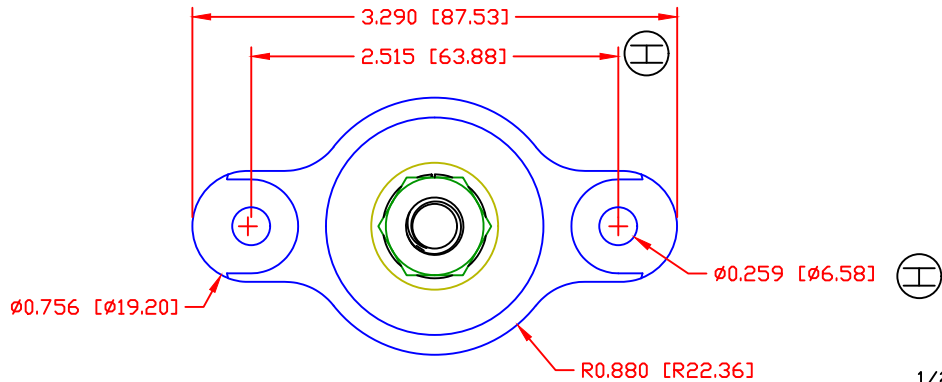


THE INFORMATION CONTAINED IN THIS DRAWING IS THE SOLE PROPERTY OF VTE INCORPORATED. ANY REPRODUCTION IN PART OR WHOLE WITHOUT THE WRITTEN PERMISSION OF VTE INCORPORATED IS PROHIBITED. VTE MAKES NO WARRANTY, EXPRESSED OR IMPLIED, AS TO THE SUITABILITY OF A PRODUCT FOR ANY INTENDED USE. THE CUSTOMER SHALL BEAR THE SOLE RESPONSIBILITY OF DETERMINING THE SUITABILITY OF ANY VTE PRODUCT FOR ITS END USE.

LTR.	REVISIONS	DATE	INT.
A	INCREASED WASHER QTY IN ASSY	12-12-15	RAS
B	CHANGED IN. LBS. TO FT. LBS.	12-23-15	RAS
C	REVISED WASHER DIMENSIONS	02-11-16	RAS
D	REPLACED P/N 3848-001 WITH 3848-002	03-29-16	RAS
E	UPDATED MATERIAL RATING	04-12-16	RAS
F	CHANGED FT-LBS TO IN-LBS AND Nm	5-8-17	JMM
G	REDRAWN (ORIGINAL DRAWING 2-26-15)	2-26-15	RAS
H	REPLACED CURRENT LIMITS WITH TEMPERATURE LIMIT	10-12-18	RAS
I	UPDATED DIMENSIONS FROM QA CHECK	04-26-21	EJE



SCALE FACTOR : NONE
 ALL DIMENSIONS GIVEN AS: in [mm]
 TOLERANCES UNLESS OTHERWISE SPECIFIED :
 MOLDED PARTS: ±.030" [±0.8mm]
 HARDWARE ITEMS: ±.010" [±0.25mm]


MATERIAL PART NO:
 MATERIAL:
 VENDOR PART NO:
 SPECIFIC GRAVITY:
 MELTING TEMP:
 U.L. RATING:

7111210502
 GLASS FILLED NYLON
 NYLON N2015 HL NAT
 1.23
 515 F [268 C]
 UL 94 HB

RECOMMEND TORQUE :

198 IN/LBS [22.3Nm] (B) (F)

OVERALL ASSEMBLY TEMPERATURE NOT TO EXCEED 140 DEGREES F
 (60 DEGREES C)

		VTE Incorporated 5437 Robinson Road, P.O. Box 790 Pellston, Michigan 49769 Telephone: 1-800-527-9256, 231-539-8000 FAX: 231-539-0914			
		REF:	DATE:	DRN BY:	RAS
		5-02-18	CHK'D BY:	RAS	
TITLE: 1/2" POWER DISTRIBUTION STUD					
MATERIAL: GLASS FILLED NYLON				PART NO.	
COLOR: RED	DRG CLASS	REV I	77512N0N02		