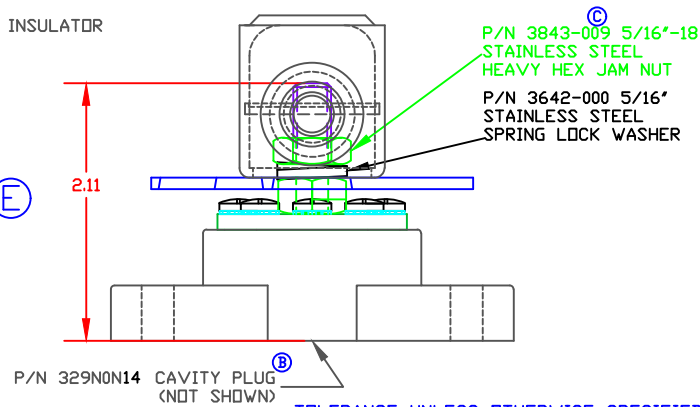
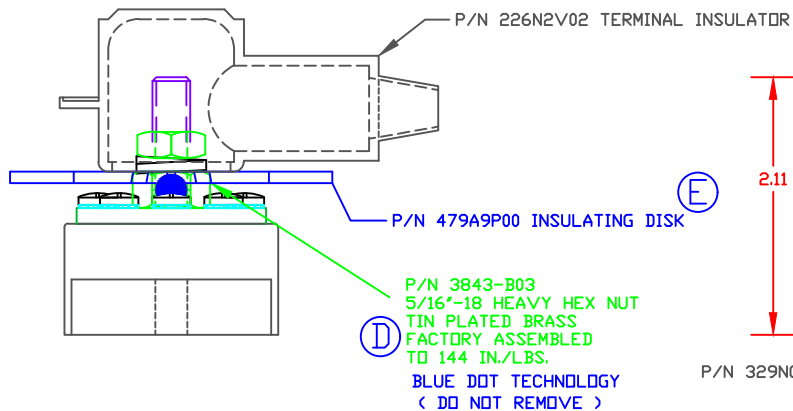
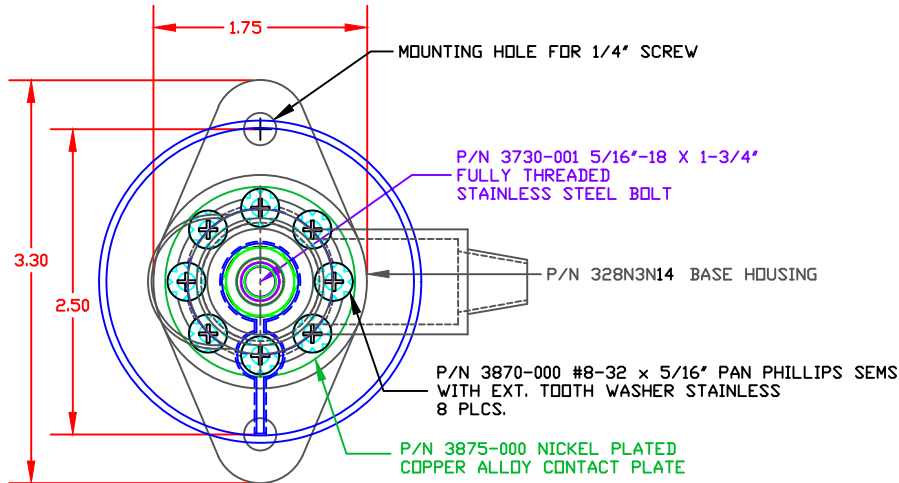


THE INFORMATION CONTAINED IN THIS DRAWING IS THE SOLE PROPERTY OF VTE INCORPORATED. ANY REPRODUCTION IN PART OR WHOLE WITHOUT THE WRITTEN PERMISSION OF VTE INCORPORATED IS PROHIBITED.

LTR.	REVISIONS	DATE	INT.
A	REMOVED SUB-ASSEMBLY NOTE P/N 73875	02-02-16	RAS
B	PN 329N0V** CHANGED TO 329N0N**	06-27-16	MDL
C	REPLACED P/N 3843-001 WITH P/N 3843-009	16JAN17	RAS
D	REPLACED P/N 3843-003 WITH P/N 3843-B03	06-08-17	JMM
E	REPLACED P/N 479A9V00 WITH P/N 479A9P00	06-16-17	JMM



TOLERANCE UNLESS OTHERWISE SPECIFIED: ±.030"/±0.8mm
 RADIAL DIAMETERS TO BE MEASURED OVER MANDRELS,
 RING GAGES OR PIN GAGES OF SUITABLE SIZE

INCLUDES P-16808110001 BLUE DOT MULTI LABEL, 1 PER CONTAINER
 RECOMMENDED MAXIMUM TORQUE: 5/16-18 NUT 120 IN./LBS.

AMPERAGE RATING: 160A @ 12VDC (8 X 20 AMP CIRCUITS)
 VOLTAGE RATING: 48 VOLTS DC MAX.
 TEMPERATURE RISE AT LOAD: 52 F [27.9 C]
 BASE MATERIAL: GLASS-REINFORCED NYLON
 BASE MATERIAL U.L. RATING: 94 HB
 VTE MATERIAL P/N: 1111210514UL

VTE Incorporated
 5437 Robinson Road, P.O. Box 790
 Pellston, Michigan 49769
 Telephone: 1-800-527-9256, 231-539-8000
 FAX: 231-539-0914

REF:	DATE:	DRN BY: BRH	WEIGHT:
CUSTOMER DIMS	04-09-03	CHK'D BY: BRH	.306LBS [138.77G]
TITLE: 5/16\"/>			