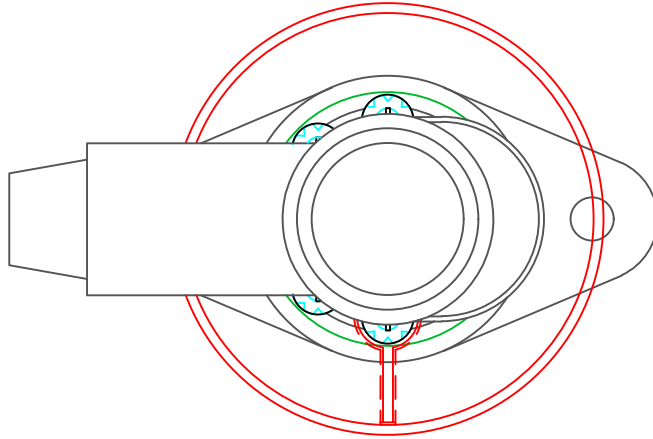
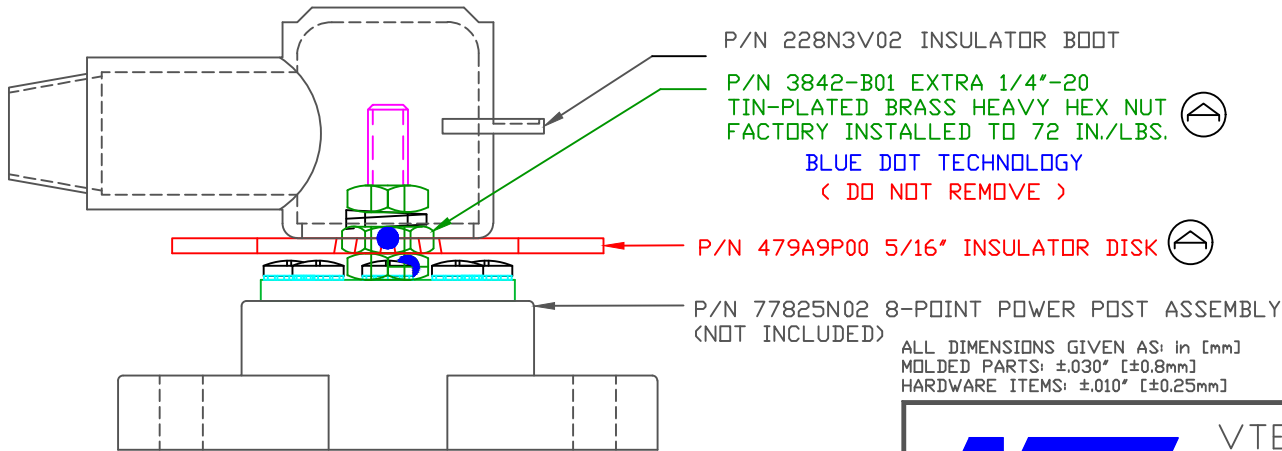


THE INFORMATION CONTAINED IN THIS DRAWING IS THE SOLE PROPERTY OF VTE INCORPORATED. ANY REPRODUCTION IN PART OR WHOLE WITHOUT THE WRITTEN PERMISSION OF VTE INCORPORATED IS PROHIBITED. VTE MAKES NO WARRANTY, EXPRESSED OR IMPLIED, AS TO THE SUITABILITY OF A PRODUCT FOR ANY INTENDED USE. THE CUSTOMER SHALL BEAR THE SOLE RESPONSIBILITY OF DETERMINING THE SUITABILITY OF ANY VTE PRODUCT FOR ITS END USE.

LTR.	REVISIONS	DATE	INT.
⌒	479A9P00 WAS 479AP00, 3842-B01 WAS 3842-001	06-13-17	JMM




OPTIONAL SINGLE  
CABLE INSULATOR  
PACK FOR 1/4"  
8-POINT POWER  
POST ASSEMBLY  
(SHOWN)



ALL DIMENSIONS GIVEN AS: in [mm]  
MOLDED PARTS: ±.030" [±0.8mm]  
HARDWARE ITEMS: ±.010" [±0.25mm]

DO NOT SCALE

		<b>VTE Incorporated</b> 5437 Robinson Road, P.O. Box 790 Pellston, Michigan 49769 Telephone: 1-800-527-9256, 231-539-8000 FAX: 231-539-0914				
		REF:	DATE:	DRN BY:	JMM	SCALE:
1 CABLE SERIES		04-05-2017		CHK'D BY:	PJK	NONE
TITLE: 1/4" SINGLE CABLE INSULATION PACK						
MATERIAL:					PART NO.	
COLOR: RED					778N15	
DRG CLASS: REV A						