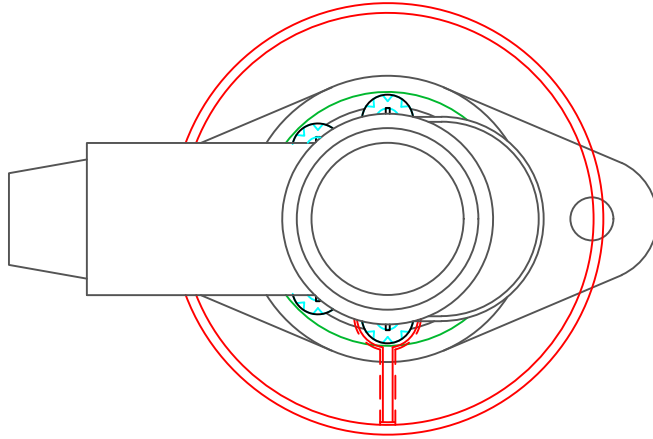
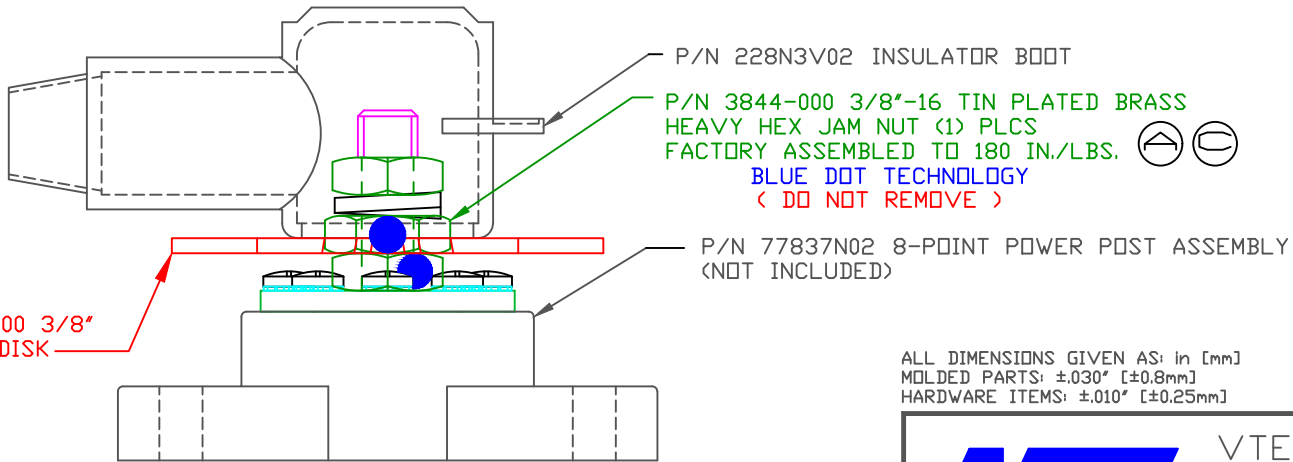


THE INFORMATION CONTAINED IN THIS DRAWING IS THE SOLE PROPERTY OF VTE INCORPORATED. ANY REPRODUCTION IN PART OR WHOLE WITHOUT THE WRITTEN PERMISSION OF VTE INCORPORATED IS PROHIBITED. VTE MAKES NO WARRANTY, EXPRESSED OR IMPLIED, AS TO THE SUITABILITY OF A PRODUCT FOR ANY INTENDED USE. THE CUSTOMER SHALL BEAR THE SOLE RESPONSIBILITY OF DETERMINING THE SUITABILITY OF ANY VTE PRODUCT FOR ITS END USE.

LTR.	REVISIONS	DATE	INT.
A	UPDATED PART # FROM 3844-000	06-01-17	RAS
B	479B9P00 WAS 479BP00	06-13-17	JMM
C	Updated Heavy Hex Jam Nut to Qty 1 from 2	02-11-20	EJE




OPTIONAL SINGLE
CABLE INSULATOR
PACK FOR 3/8"
8-POINT POWER
POST ASSEMBLY
(SHOWN)



ⓑ P/N 479B9P00 3/8"
INSULATOR DISK

ALL DIMENSIONS GIVEN AS: in [mm]
MOLDED PARTS: ±.030" [±0.8mm]
HARDWARE ITEMS: ±.010" [±0.25mm]

		VTE Incorporated 5437 Robinson Road, P.O. Box 790 Pellston, Michigan 49769 Telephone: 1-800-527-9256, 231-539-8000 FAX: 231-539-0914				
		REF:	DATE:	DRN BY:	JMM	SCALE:
1 CABLE SERIES		04-05-17		CHK'D BY:	PJK	NONE
TITLE: 3/8" SINGLE CABLE INSULATION PACK						
MATERIAL:					PART NO.	
COLOR: RED					778N18	
DRG CLASS REV C						

DO NOT SCALE