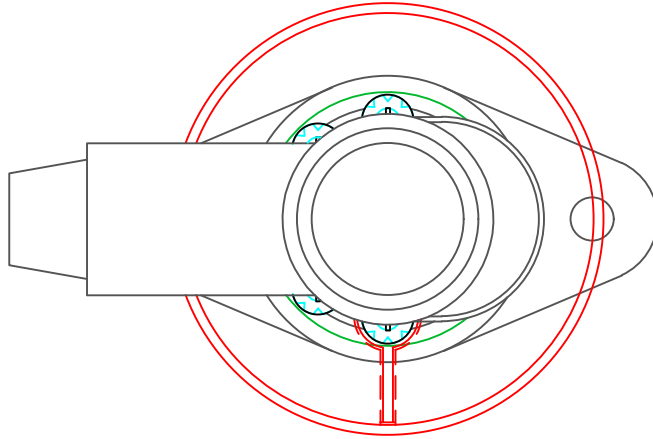
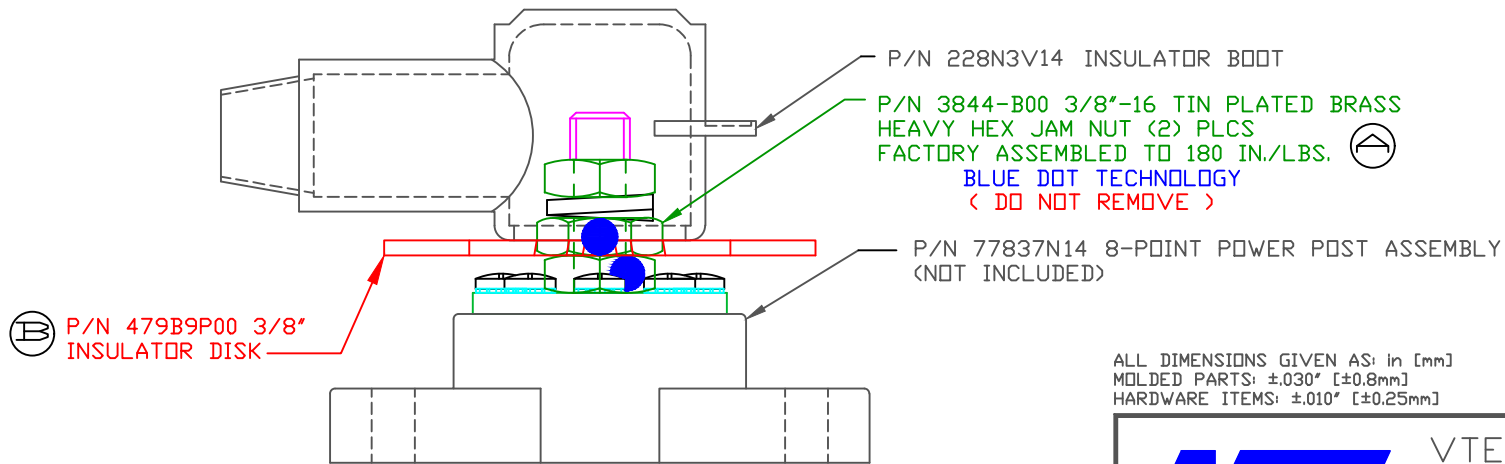


THE INFORMATION CONTAINED IN THIS DRAWING IS THE SOLE PROPERTY OF VTE INCORPORATED. ANY REPRODUCTION IN PART OR WHOLE WITHOUT THE WRITTEN PERMISSION OF VTE INCORPORATED IS PROHIBITED. VTE MAKES NO WARRANTY, EXPRESSED OR IMPLIED, AS TO THE SUITABILITY OF A PRODUCT FOR ANY INTENDED USE. THE CUSTOMER SHALL BEAR THE SOLE RESPONSIBILITY OF DETERMINING THE SUITABILITY OF ANY VTE PRODUCT FOR ITS END USE.

LTR.	REVISIONS	DATE	INT.
△	UPDATED PART # FROM 3844-000	06-01-17	RAS
ⓑ	479B9P00 WAS 479BP00	06-13-17	JMM



OPTIONAL SINGLE
CABLE INSULATOR
PACK FOR 3/8"
8-POINT POWER
POST ASSEMBLY
(SHOWN)



ALL DIMENSIONS GIVEN AS: in [mm]
MOLDED PARTS: ±.030" [±0.8mm]
HARDWARE ITEMS: ±.010" [±0.25mm]



VTE Incorporated
5437 Robinson Road, P.O. Box 790
Pellston, Michigan 49769
Telephone: 1-800-527-9256, 231-539-8000
FAX: 231-539-0914

REF:	DATE:	DRN BY: JMM	SCALE:
1 CABLE SERIES	04-05-17	CHK'D BY: PJK	NONE
TITLE: 3/8" SINGLE CABLE INSULATION PACK			
MATERIAL:		PART NO.	
COLOR: BLACK	DRG CLASS REV B	778N20	

DO NOT SCALE