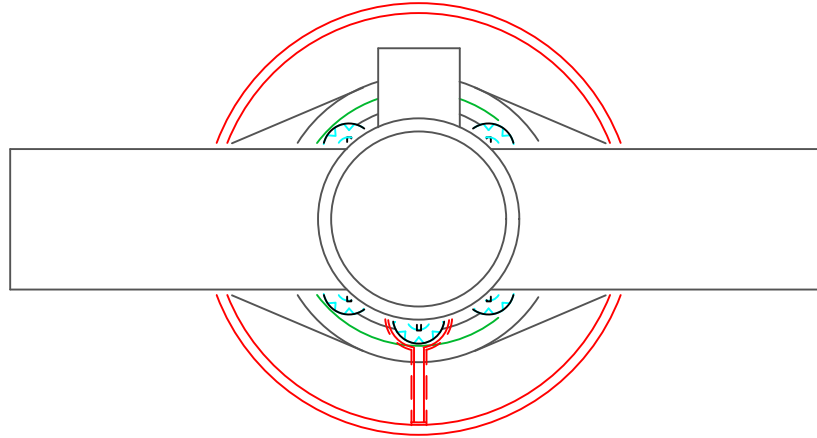
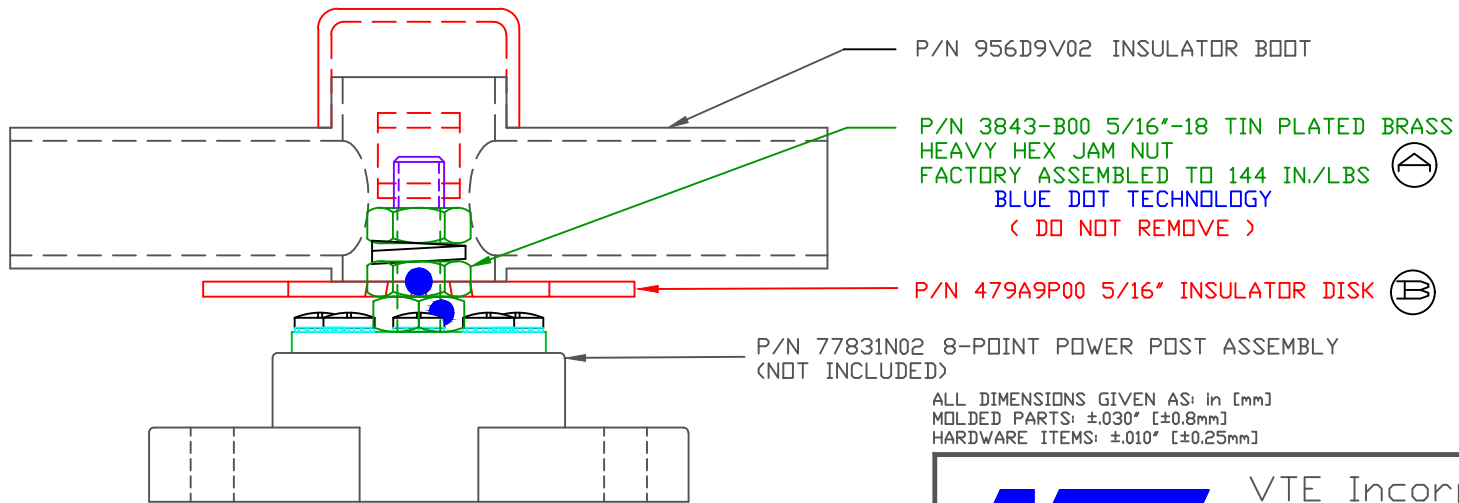


THE INFORMATION CONTAINED IN THIS DRAWING IS THE SOLE PROPERTY OF VTE INCORPORATED. ANY REPRODUCTION IN PART OR WHOLE WITHOUT THE WRITTEN PERMISSION OF VTE INCORPORATED IS PROHIBITED. VTE MAKES NO WARRANTY, EXPRESSED OR IMPLIED, AS TO THE SUITABILITY OF A PRODUCT FOR ANY INTENDED USE. THE CUSTOMER SHALL BEAR THE SOLE RESPONSIBILITY OF DETERMINING THE SUITABILITY OF ANY VTE PRODUCT FOR ITS END USE.

LTR.	REVISIONS	DATE	INT.
A	3843-B00 WAS 3843-000, ADDED "DO NOT REMOVE"	6-02-17	JMM
B	479A9P00 WAS 479AP00	06-13-17	JMM



OPTIONAL DUAL
CABLE INSULATOR
PACK FOR 5/16"
8-POINT POWER
POST ASSEMBLY
(SHOWN)



ALL DIMENSIONS GIVEN AS: in [mm]
MOLDED PARTS: ±.030" [±0.8mm]
HARDWARE ITEMS: ±.010" [±0.25mm]



VTE Incorporated
5437 Robinson Road, P.O. Box 790
Pellston, Michigan 49769
Telephone: 1-800-527-9256, 231-539-8000
FAX: 231-539-0914

REF:	DATE:	DRN BY: JMM	SCALE:
2 CABLE SERIES	04-06-17	CHK'D BY: RAS	NONE
TITLE: 5/16" DUAL CABLE INSULATION PACK			
MATERIAL:			PART NO.
COLOR: RED	DRG CLASS	REV B	778N21

DO NOT SCALE