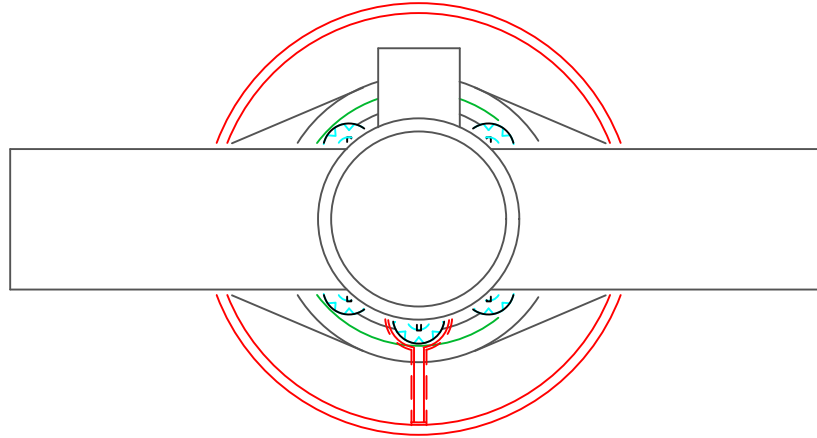
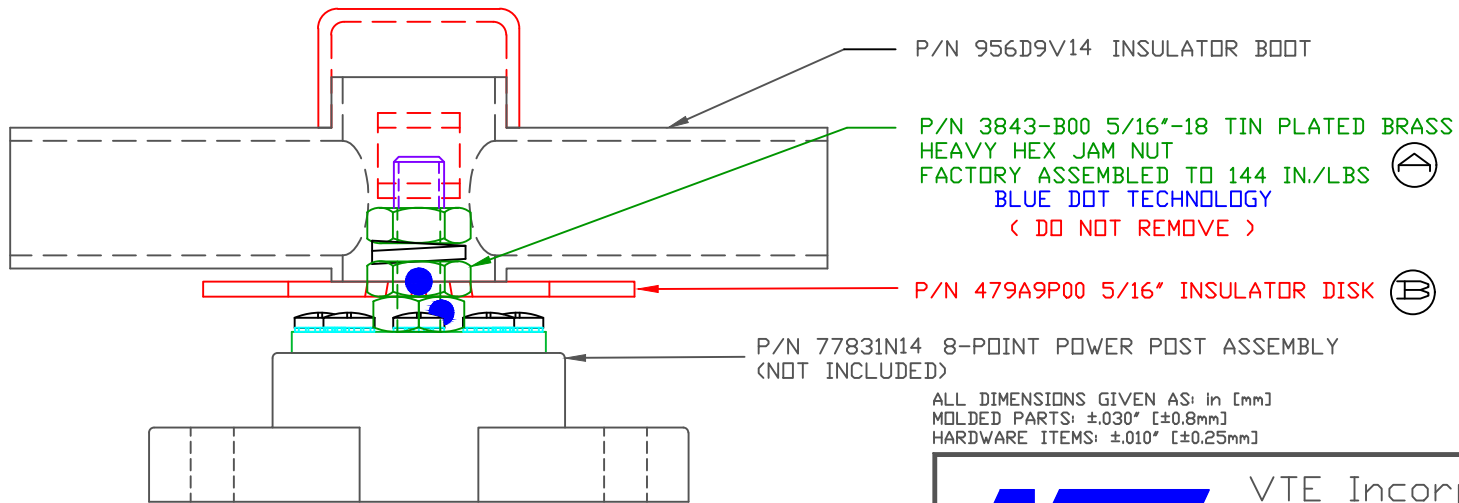


THE INFORMATION CONTAINED IN THIS DRAWING IS THE SOLE PROPERTY OF VTE INCORPORATED. ANY REPRODUCTION IN PART OR WHOLE WITHOUT THE WRITTEN PERMISSION OF VTE INCORPORATED IS PROHIBITED. VTE MAKES NO WARRANTY, EXPRESSED OR IMPLIED, AS TO THE SUITABILITY OF A PRODUCT FOR ANY INTENDED USE. THE CUSTOMER SHALL BEAR THE SOLE RESPONSIBILITY OF DETERMINING THE SUITABILITY OF ANY VTE PRODUCT FOR ITS END USE.

| LTR. | REVISIONS | DATE | INT. |
|------|--|----------|------|
| A | 3843-B00 WAS 3843-000, ADDED "DO NOT REMOVE" | 6-02-17 | JMM |
| B | 479A9P00 WAS 479AP00 | 06-13-17 | JMM |



OPTIONAL DUAL
CABLE INSULATOR
PACK FOR 5/16"
8-POINT POWER
POST ASSEMBLY
(SHOWN)



P/N 956D9V14 INSULATOR BOOT

P/N 3843-B00 5/16"-18 TIN PLATED BRASS
HEAVY HEX JAM NUT
FACTORY ASSEMBLED TO 144 IN./LBS
BLUE DOT TECHNOLOGY
(DO NOT REMOVE)

P/N 479A9P00 5/16" INSULATOR DISK

P/N 77831N14 8-POINT POWER POST ASSEMBLY
(NOT INCLUDED)

ALL DIMENSIONS GIVEN AS: in [mm]
MOLDED PARTS: ±.030" [±0.8mm]
HARDWARE ITEMS: ±.010" [±0.25mm]



VTE Incorporated
5437 Robinson Road, P.O. Box 790
Pellston, Michigan 49769
Telephone: 1-800-527-9256, 231-539-8000
FAX: 231-539-0914

| | | | |
|---|-----------|---------------|----------|
| REF: | DATE: | DRN BY: JMM | SCALE: |
| 2 CABLE SERIES | 04-06-17 | CHK'D BY: RAS | NONE |
| TITLE: 5/16" DUAL CABLE INSULATION PACK | | | |
| MATERIAL: | | | PART NO. |
| COLOR: BLACK | DRG CLASS | REV B | 778N23 |

DO NOT SCALE