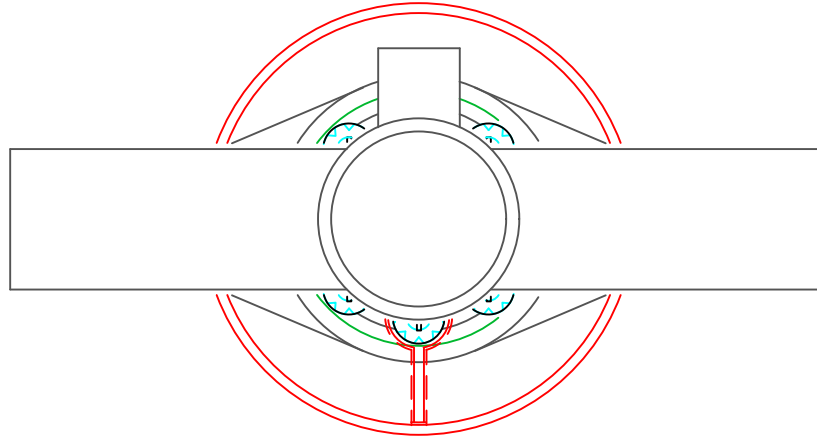
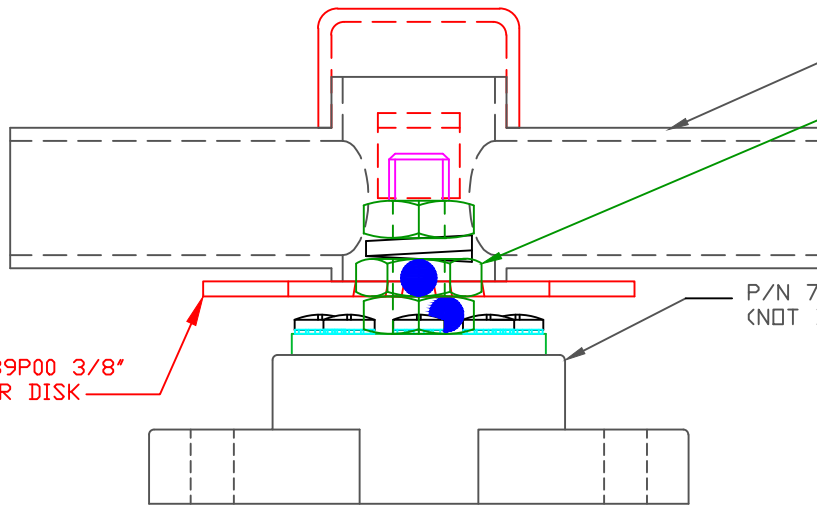


THE INFORMATION CONTAINED IN THIS DRAWING IS THE SOLE PROPERTY OF VTE INCORPORATED. ANY REPRODUCTION IN PART OR WHOLE WITHOUT THE WRITTEN PERMISSION OF VTE INCORPORATED IS PROHIBITED. VTE MAKES NO WARRANTY, EXPRESSED OR IMPLIED, AS TO THE SUITABILITY OF A PRODUCT FOR ANY INTENDED USE. THE CUSTOMER SHALL BEAR THE SOLE RESPONSIBILITY OF DETERMINING THE SUITABILITY OF ANY VTE PRODUCT FOR ITS END USE.

LTR.	REVISIONS	DATE	INT.
△	UPDATED PART # FROM 3844-000	06-01-17	RAS
ⓑ	479B9P00 WAS 479BP00	06-15-17	JMM



OPTIONAL DUAL  
CABLE INSULATOR  
PACK FOR 3/8"  
8-POINT POWER  
POST ASSEMBLY  
(SHOWN)



P/N 956D9V14 INSULATOR BOOT

P/N 3844-B00 3/8"-16 TIN PLATED BRASS  
HEAVY HEX JAM NUT (2) PLCS  
FACTORY ASSEMBLED TO 180 IN./LBS. ⓐ

BLUE DOT TECHNOLOGY  
( DO NOT REMOVE )

P/N 77837N14 8-POINT POWER POST ASSEMBLY  
(NOT INCLUDED)

ⓑ P/N 479B9P00 3/8"  
INSULATOR DISK

ALL DIMENSIONS GIVEN AS: in [mm]  
MOLDED PARTS: ±.030" [±0.8mm]  
HARDWARE ITEMS: ±.010" [±0.25mm]



VTE Incorporated  
5437 Robinson Road, P.O. Box 790  
Pellston, Michigan 49769  
Telephone: 1-800-527-9256, 231-539-8000  
FAX: 231-539-0914

REF:	DATE:	DRN BY: JMM	SCALE:
2 CABLE SERIES	04-07-17	CHK'D BY: PJK	NONE
TITLE: 3/8" DUAL CABLE INSULATION PACK			
MATERIAL:			PART NO.
COLOR: BLACK			778N24
DRG CLASS REV B			

DO NOT SCALE