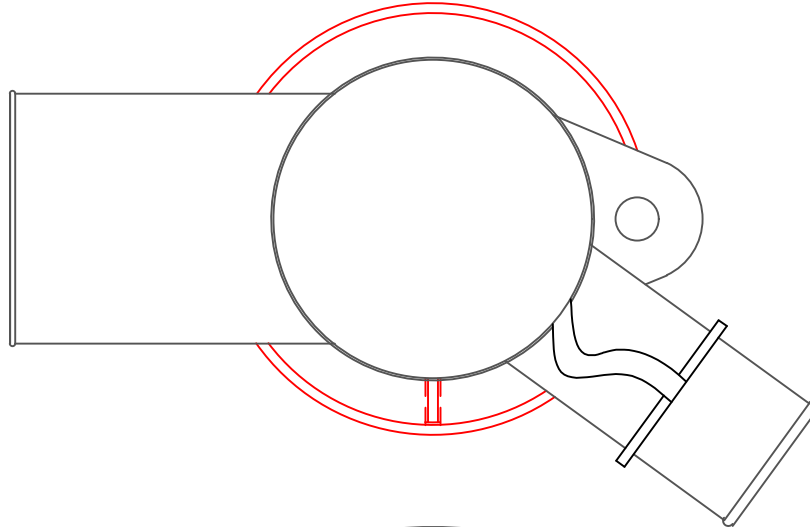
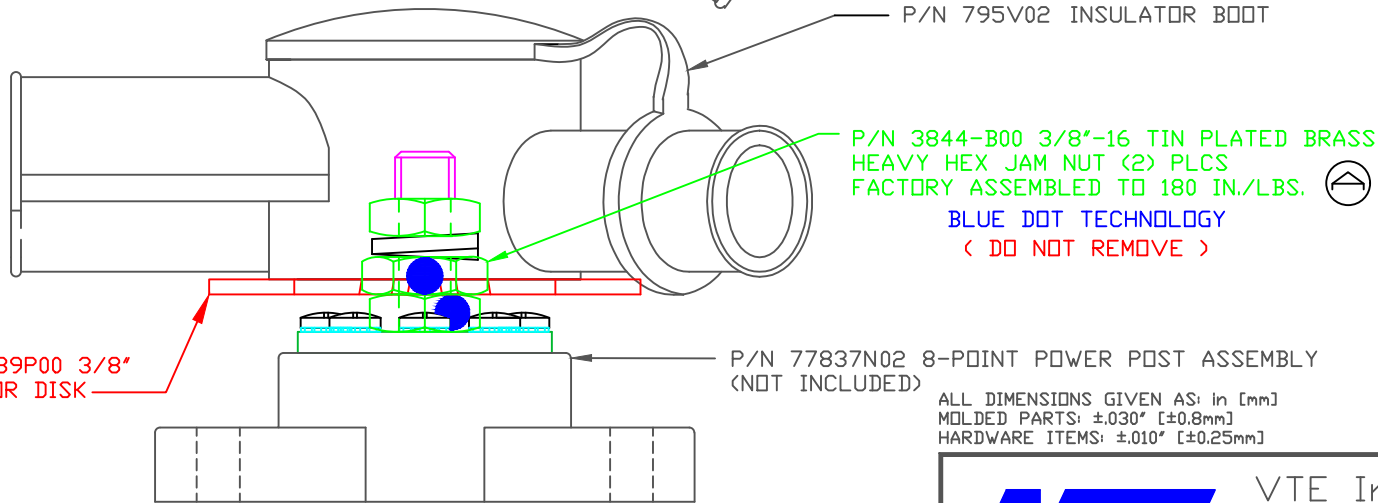


THE INFORMATION CONTAINED IN THIS DRAWING IS THE SOLE PROPERTY OF VTE INCORPORATED. ANY REPRODUCTION IN PART OR WHOLE WITHOUT THE WRITTEN PERMISSION OF VTE INCORPORATED IS PROHIBITED. VTE MAKES NO WARRANTY, EXPRESSED OR IMPLIED, AS TO THE SUITABILITY OF A PRODUCT FOR ANY INTENDED USE. THE CUSTOMER SHALL BEAR THE SOLE RESPONSIBILITY OF DETERMINING THE SUITABILITY OF ANY VTE PRODUCT FOR ITS END USE.

LTR.	REVISIONS	DATE	INT.
Ⓐ	UPDATED PART # FROM 3844-000	06-01-17	RAS
Ⓑ	479B9P00 WAS 479AP00, 795V14 WAS 795N9V14	06-15-17	JMM



OPTIONAL MULTI
CABLE INSULATOR
PACK FOR 3/8"
8-POINT POWER
POST ASSEMBLY
(SHOWN)



Ⓑ P/N 479B9P00 3/8"
INSULATOR DISK

P/N 77837N02 8-POINT POWER POST ASSEMBLY
(NOT INCLUDED)

ALL DIMENSIONS GIVEN AS: in [mm]
MOLDED PARTS: ±.030" [±0.8mm]
HARDWARE ITEMS: ±.010" [±0.25mm]

DO NOT SCALE



VTE Incorporated
5437 Robinson Road, P.O. Box 790
Pellston, Michigan 49769
Telephone: 1-800-527-9256, 231-539-8000
FAX: 231-539-0914

REF:	DATE:	DRN BY: JMM	SCALE:
MULTI CABLE SERIES	04-07-17	CHK'D BY: RAS	NONE
TITLE: 3/8" MULTI CABLE INSULATION PACK			
MATERIAL:			PART NO.
COLOR: RED	DRG CLASS	REV B	778N26