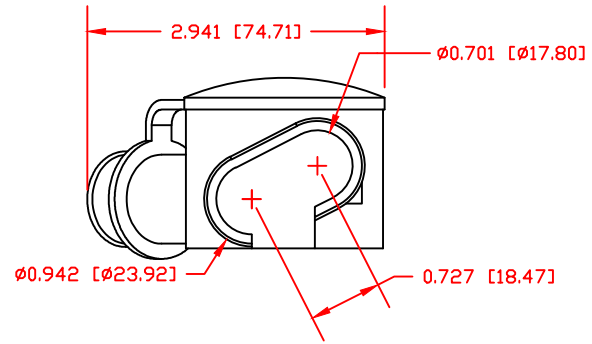
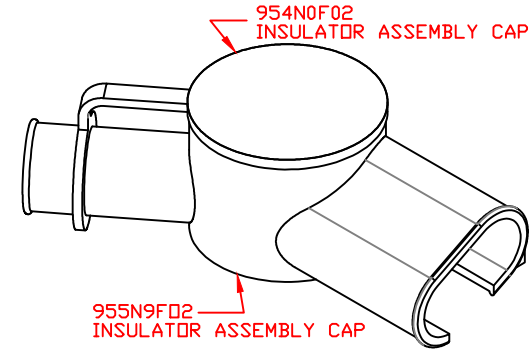
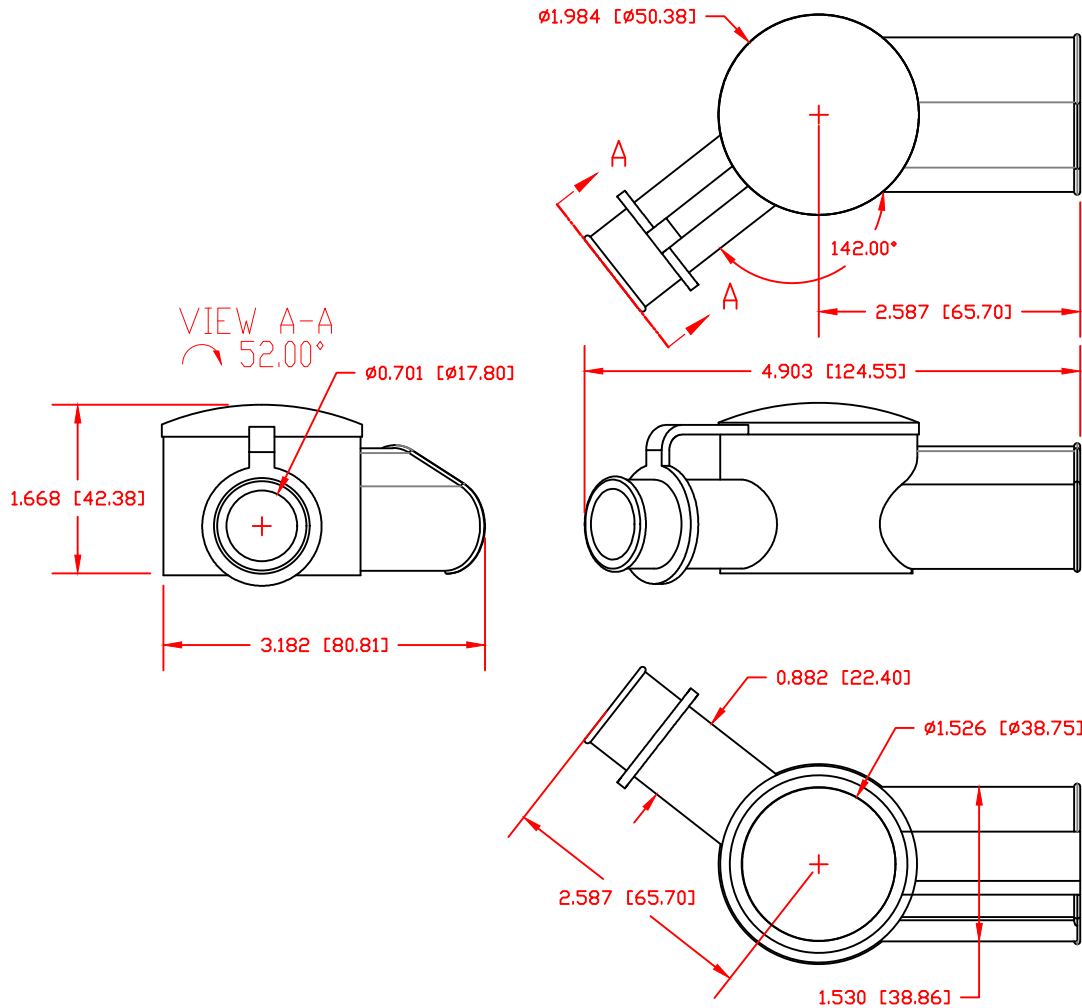


THE INFORMATION CONTAINED IN THIS DRAWING IS THE SOLE PROPERTY OF VTE INCORPORATED. ANY REPRODUCTION IN PART OR WHOLE WITHOUT THE WRITTEN PERMISSION OF VTE INCORPORATED IS PROHIBITED. VTE MAKES NO WARRANTY, EXPRESSED OR IMPLIED, AS TO THE SUITABILITY OF A PRODUCT FOR ANY INTENDED USE. THE CUSTOMER SHALL BEAR THE SOLE RESPONSIBILITY OF DETERMINING THE SUITABILITY OF ANY VTE PRODUCT FOR ITS END USE.


LTR.	REVISIONS	DATE	INT.
△	REDRAWN AND UPDATED	9-14-17	RAS



SCALE FACTOR : NONE  
 ALL DIMENSIONS GIVEN AS: in [mm]  
 TOLERANCES UNLESS OTHERWISE SPECIFIED :  
 MOLDED PARTS: ±.030" [±0.8mm]

MATERIAL PART NO:  
 MATERIAL:  
 VENDOR PART NO:  
 SHORE DUROMETER:  
 SPECIFIC GRAVITY:  
 ULT. ELONGATION %:  
 MELTING TEMP:  
 BRITTLE TEMP:  
 TENSILE STRENGTH PSI:  
 DIELECTRIC STRENGTH, V./mil  
 U.L. RATING:

1101700102  
 PVC  
 7843-70-RED 6288  
 "A" 10 SEC, 70  
 1.34  
 350  
 320-340 F [160-171 C]  
 -22 F [-30 C]  
 1550 PSI  
 553  
 V0

		<b>VTE Incorporated</b> 5437 Robinson Road, P.O. Box 790 Pellston, Michigan 49769 Telephone: 1-800-527-9256, 231-539-8000 FAX: 231-539-0914	
		REF: CUSTOMER DIMS	DATE: 9-14-17
TITLE: MULTIPLE CABLE INSULATOR ASSEMBLY			
MATERIAL: PVC	PART NO.		795F02
COLOR: RED	DRG CLASS	REV A	