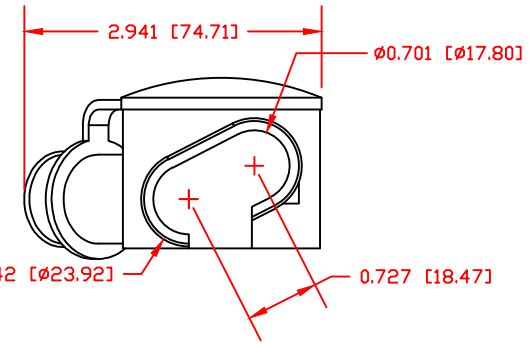
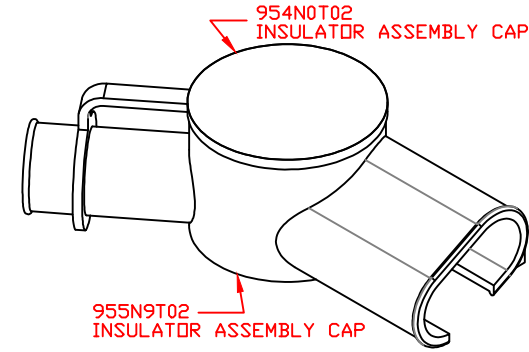
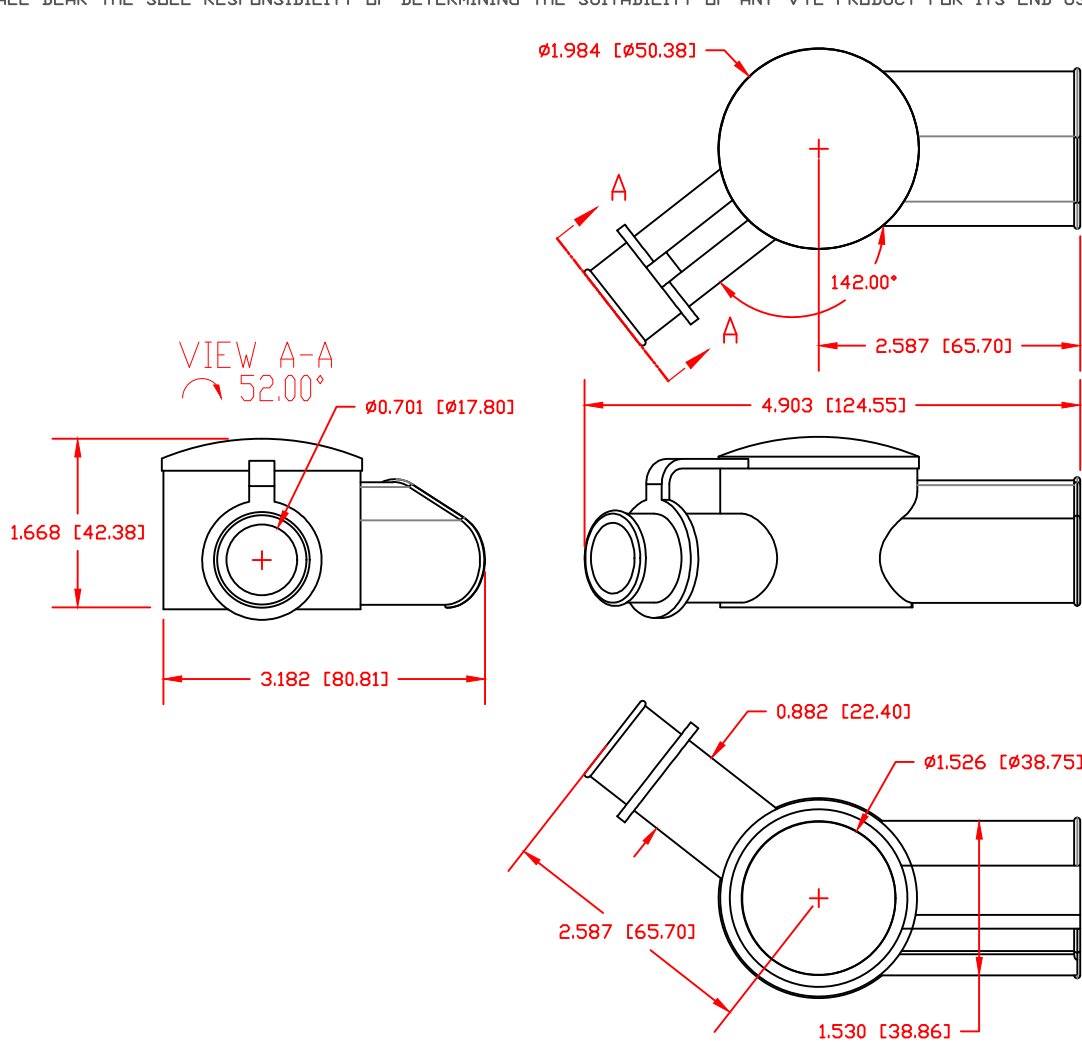


THE INFORMATION CONTAINED IN THIS DRAWING IS THE SOLE PROPERTY OF VTE INCORPORATED. ANY REPRODUCTION IN PART OR WHOLE WITHOUT THE WRITTEN PERMISSION OF VTE INCORPORATED IS PROHIBITED. VTE MAKES NO WARRANTY, EXPRESSED OR IMPLIED, AS TO THE SUITABILITY OF A PRODUCT FOR ANY INTENDED USE. THE CUSTOMER SHALL BEAR THE SOLE RESPONSIBILITY OF DETERMINING THE SUITABILITY OF ANY VTE PRODUCT FOR ITS END USE.

LTR.	REVISIONS	DATE	INT.
△	REDRAWN AND UPDATED	9-14-17	RAS



SCALE FACTOR : NONE  
 ALL DIMENSIONS GIVEN AS: in [mm]  
 TOLERANCES UNLESS OTHERWISE SPECIFIED :  
 MOLDED PARTS: ±.030" [±0.8mm]

MATERIAL PART NO: 7203640102  
 MATERIAL: SANTOPRENE 201-64  
 VENDOR PART NO: TPE AES 201-64 NAT SANTOPRENE  
 SHORE DUROMETER: "A" 15 SEC. 69  
 SPECIFIC GRAVITY: .97  
 ULT. ELONGATION %: 450  
 MELTING TEMP: 380-450 F [193-232 C]  
 BRITTLE TEMP: -76 F [-60 C]  
 TENSILE STRENGTH PSI: 1020  
 DIELECTRIC STRENGTH, V./mil: 750  
 U.L. RATING: HB

**VTE Incorporated**  
 5437 Robinson Road, P.O. Box 790  
 Pellston, Michigan 49769  
 Telephone: 1-800-527-9256, 231-539-8000  
 FAX: 231-539-0914

REF:	DATE:	DRN BY:	RAS	WEIGHT:
CUSTOMER DIMS	9-14-17	CHK'D BY:	PJK	.107 Lbs. [48.6 g]
TITLE: MULTIPLE CABLE INSULATOR ASSEMBLY				
MATERIAL:	SANTOPRENE		PART NO.	
COLOR: RED	DRG CLASS	REV A	795T02	