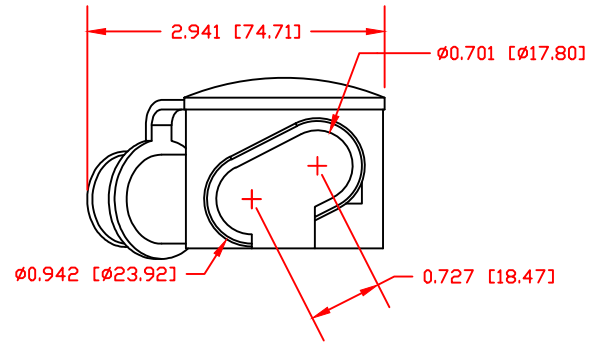
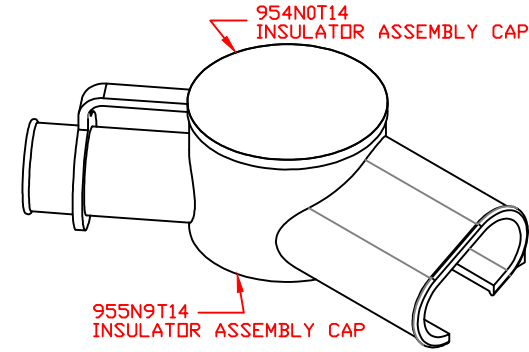
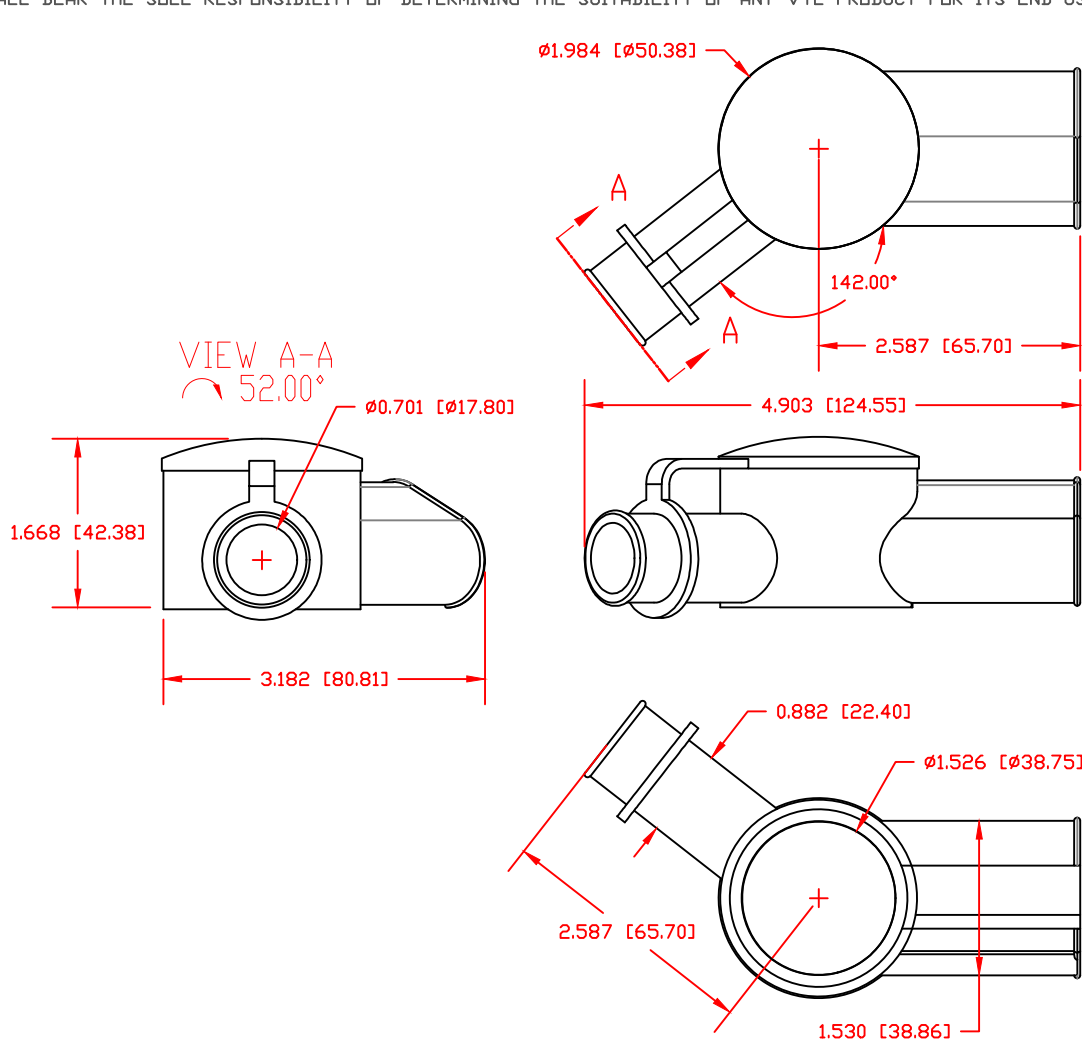


THE INFORMATION CONTAINED IN THIS DRAWING IS THE SOLE PROPERTY OF VTE INCORPORATED. ANY REPRODUCTION IN PART OR WHOLE WITHOUT THE WRITTEN PERMISSION OF VTE INCORPORATED IS PROHIBITED. VTE MAKES NO WARRANTY, EXPRESSED OR IMPLIED, AS TO THE SUITABILITY OF A PRODUCT FOR ANY INTENDED USE. THE CUSTOMER SHALL BEAR THE SOLE RESPONSIBILITY OF DETERMINING THE SUITABILITY OF ANY VTE PRODUCT FOR ITS END USE.


| LTR. | REVISIONS           | DATE    | INT. |
|------|---------------------|---------|------|
| △    | REDRAWN AND UPDATED | 9-14-17 | RAS  |



SCALE FACTOR : NONE  
 ALL DIMENSIONS GIVEN AS: in [mm]  
 TOLERANCES UNLESS OTHERWISE SPECIFIED :  
 MOLDED PARTS: ±.030" [±0.8mm]

MATERIAL PART NO:  
 MATERIAL:  
 VENDOR PART NO:  
 SHORE DUROMETER:  
 SPECIFIC GRAVITY:  
 ULT. ELONGATION %:  
 MELTING TEMP:  
 BRITTLE TEMP:  
 TENSILE STRENGTH PSI:  
 DIELECTRIC STRENGTH, V./mil  
 U.L. RATING:

1103640114  
 SANTOPRENE 101-64  
 TPE AES 101-64 BK SANTOPRENE  
 "A" 15 SEC. 69  
 .97  
 450  
 380-450 F [193-232 C]  
 -76 F [-60 C]  
 1020  
 680  
 HB

|   |                  |   |               |
|---|------------------|---|---------------|
|  |                  | <b>VTE Incorporated</b><br>5437 Robinson Road, P.O. Box 790<br>Pellston, Michigan 49769<br>Telephone: 1-800-527-9256, 231-539-8000<br>FAX: 231-539-0914 |               |
|   |                  | REF: CUSTOMER DIMS  | DATE: 9-14-17 |
| TITLE: MULTIPLE CABLE INSULATOR ASSEMBLY  |                  |   |               |
| MATERIAL: SANTOPRENE  |                  | PART NO. 795T14   |               |
| COLOR: BLACK  | DRG CLASS: REV A |   |               |