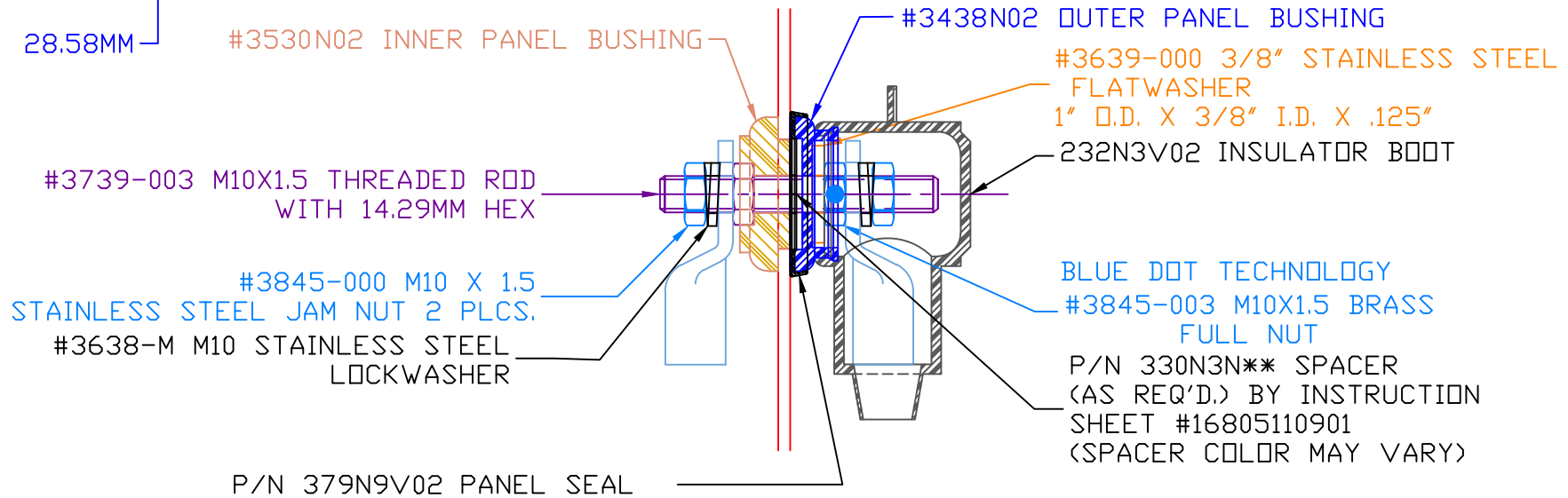
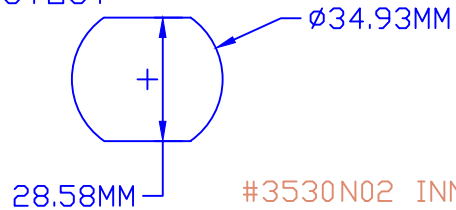


THE INFORMATION CONTAINED IN THIS DRAWING IS THE SOLE PROPERTY OF VTE INCORPORATED. ANY REPRODUCTION IN PART OR WHOLE WITHOUT THE WRITTEN PERMISSION OF VTE INCORPORATED IS PROHIBITED. VTE MAKES NO WARRANTY, EXPRESSED OR IMPLIED, AS TO THE SUITABILITY OF A PRODUCT FOR ANY INTENDED USE. THE CUSTOMER SHALL BEAR THE SOLE RESPONSIBILITY OF DETERMINING THE SUITABILITY OF ANY VTE PRODUCT FOR ITS END USE.

LTR.	REVISIONS	DATE	INT.

USE GREENLEE  
PUNCH ASSEMBLY  
#60098 FOR PANEL  
CUTOUT



MAXIMUM AMPERAGE: 300 AMPS @ 12VDC  
INCLUDES P-16808110001 BLUE DOT MULTI LABEL, 1 PER CONTAINER  
MAXIMUM RECOMMENDED FASTENER TORQUE:  
S.S. JAM NUT- 20.3 NEWTON METERS.  
BRASS JAM NUT- 8.1 NEWTON METERS.

SCALE FACTOR : NONE  
ALL DIMENSIONS GIVEN AS: in [mm]  
TOLERANCES UNLESS OTHERWISE SPECIFIED :  
MOLDED PARTS: ±.030" [±0.8mm]  
HARDWARE ITEMS: ±.010" [±0.25mm]

INSULATOR BOOT MATERIAL:  
U.L. RATING:

PVC 65 DUROMETER  
94 V-2

PANEL SEAL MATERIAL:  
U.L. RATING:


PVC 95 DUROMETER  
94 V-2

BASE MATERIAL:  
VTE MATERIAL NO:  
U.L. RATING:

GLASS-REINFORCED NYLON  
7111210502  
94 HB

ITEMS SHOWN FOR ILLUSTRATIVE  
PURPOSE, NOT INCLUDED:

1/0 GA. TERMINAL LUGS (2 PLACES)



**VTE Incorporated**  
5437 Robinson Road, P.O. Box 790  
Pellston, Michigan 49769  
Telephone: 1-800-527-9256, 231-539-8000  
FAX: 231-539-0914

REF:	DATE:	DRN BY: RAS	WEIGHT:
CUSTOMER DIMS	7-17-17	CHK'D BY: RAS	
TITLE: POWER BUSHING 10MM STUD 3.17MM MAX PANEL WEATHERPROOF			
MATERIAL: GLASS FILLED NYLON		PART NO.	
COLOR: RED	DRG CLASS	7B1030N02W	