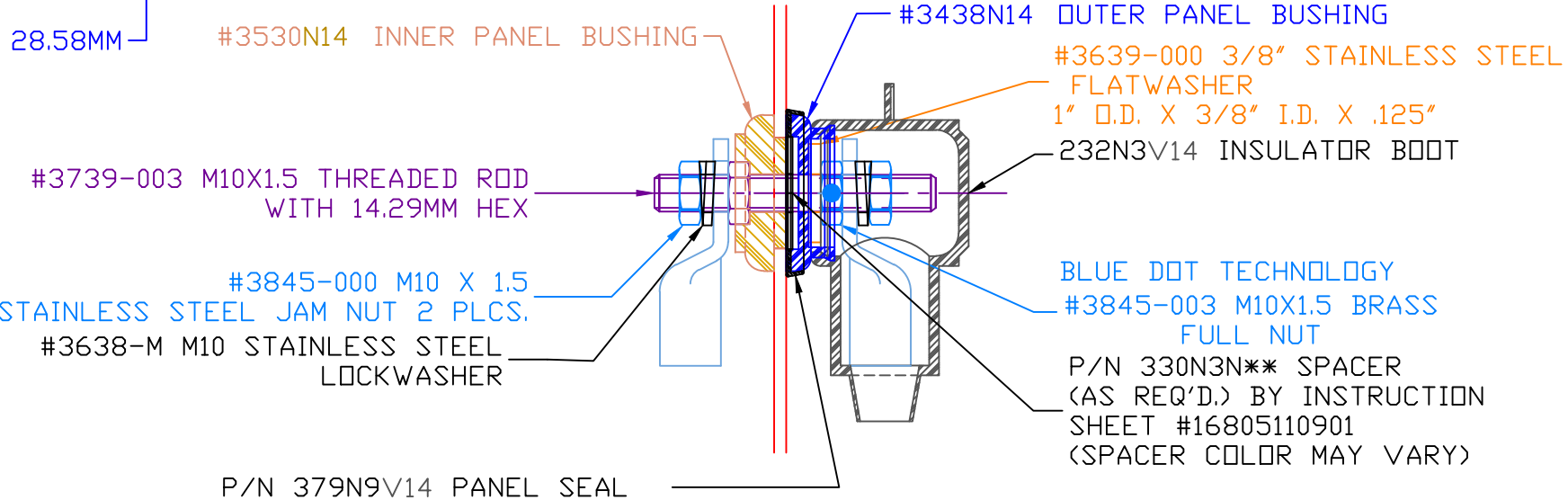
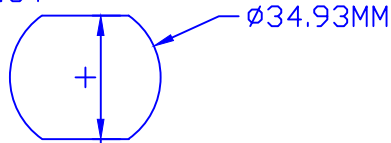


THE INFORMATION CONTAINED IN THIS DRAWING IS THE SOLE PROPERTY OF VTE INCORPORATED. ANY REPRODUCTION IN PART OR WHOLE WITHOUT THE WRITTEN PERMISSION OF VTE INCORPORATED IS PROHIBITED. VTE MAKES NO WARRANTY, EXPRESSED OR IMPLIED, AS TO THE SUITABILITY OF A PRODUCT FOR ANY INTENDED USE. THE CUSTOMER SHALL BEAR THE SOLE RESPONSIBILITY OF DETERMINING THE SUITABILITY OF ANY VTE PRODUCT FOR ITS END USE.

LTR.	REVISIONS	DATE	INT.

USE GREENLEE
PUNCH ASSEMBLY
#60098 FOR PANEL
CUTOUT



MAXIMUM AMPERAGE: 300 AMPS @ 12VDC
INCLUDES P-16808110001 BLUE DOT MULTI LABEL, 1 PER CONTAINER
MAXIMUM RECOMMENDED FASTENER TORQUE:
S.S. JAM NUT- 20.3 NEWTON METERS.
BRASS JAM NUT- 8.1 NEWTON METERS.

INSULATOR BOOT MATERIAL:
U.L. RATING:

PVC 65 DUROMETER
94 V-2

PANEL SEAL MATERIAL:
U.L. RATING:

PVC 95 DUROMETER
94 V-2


BASE MATERIAL:
VTE MATERIAL NO:
U.L. RATING:

GLASS-REINFORCED NYLON
111210514UL
94 HB

ITEMS SHOWN FOR ILLUSTRATIVE
PURPOSE, NOT INCLUDED:

1/0 GA. TERMINAL LUGS (2 PLACES)

SCALE FACTOR : NONE
ALL DIMENSIONS GIVEN AS: in [mm]
TOLERANCES UNLESS OTHERWISE SPECIFIED :
MOLDED PARTS: ±.030" [±0.8mm]
HARDWARE ITEMS: ±.010" [±0.25mm]

		VTE Incorporated 5437 Robinson Road, P.O. Box 790 Pellston, Michigan 49769 Telephone: 1-800-527-9256, 231-539-8000 FAX: 231-539-0914	
		REF:	DATE:
CUSTOMER DIMS	7-17-17	CHK'D BY: RAS	
TITLE: POWER BUSHING 10MM STUD 3.17MM MAX PANEL WEATHERPROOF			
MATERIAL: GLASS FILLED NYLON		PART NO.	
COLOR: BLACK	DRG CLASS	7B1030N14 W	